

# TA-EX9/EX10

## SERVICE MANUAL

*AEP Model  
UK Model  
E Model  
Australian Model*



TA-EX9/EX10 are the Amplifier Section in  
MHC-EX9AV/EX10AV.

Photo: TA-EX10

### SPECIFICATIONS

Peak music power output (TA-EX9: E, Saudi Arabia, Hong Kong,  
Malaysia, Singapore, Australian)  
1,000 W (2 speakers driven)  
DIN power output (TA-EX10/TA-EX9: AEP, UK, German, Italian)

FRONT: 60 W + 60 W (6 ohms,  
at 1 kHz)  
(TA-EX9)

CENTER: 20 W (6 ohms, at 1 kHz)

REAR: 7 W + 7 W (6 ohms,  
at 1 kHz)

Continuous RMS power output

FRONT: 70 W + 70 W (6 ohms,  
at 1 kHz, 5% THD)  
(TA-EX9)

CENTER: 28 W (6 ohms, at 1 kHz,  
5% THD)

REAR: 10 W + 10 W (6 ohms,  
at 1 kHz, 5% THD)

Input	Jack type	Sensitivity	Impedance
CD	Phono	450 mV	47 kilohms
MD/DAT	Phono	450 mV	47 kilohms
TUNER	Phono	250 mV	47 kilohms
VIDEO1	Phono	250 mV	47 kilohms
VIDEO2	Phono	250 mV	47 kilohms
TAPE	Phono	250 mV	47 kilohms

MIX MIC Phone 1 mV 600 ohms  
(E, Saudi Arabia, Hong Kong, Malaysia,  
Singapore and Australian models)

Output	Jack type	Voltage	Impedance
MD/DAT	Phono	250 mV	1 kilohm
VIDEO1	Phono	250 mV	1 kilohm
TAPE	Phono	250 mV	1 kilohm
HEAD-PHONES	Stereo phone	—	Accepts headphones of 8 ohms or more

MONITOR OUT (phono jack):  
1 V<sub>p-p</sub>/75 ohms

FRONT SPEAKER:  
TA-EX9

accepts speakers of 6 to  
16 ohms

TA-EX10

Phono jacks: only for SA-EX100

CENTER SPEAKER:

accepts speakers of 6 to  
16 ohms

REAR SPEAKER:

accepts speakers of 6 to  
16 ohms

Dimensions

Approx. 280 x 125 x 315 mm (w/h/d)  
(11 1/8 x 5 x 12 1/2 inches)

Mass TA-EX9 : Approx. 6.5 kg (14 lb 6 oz)

TA-EX10 : Approx. 5.1 kg (11 lb 4 oz)

— Continued on next page —

AV CENTER/CONTROL AMPLIFIER  
**SONY**®

**General**

Power requirements

AEP, UK, German, Italian model:

220 – 230 V AC, 50/60 Hz

E, Saudi Arabia, Hong Kong, Malaysia, Singapore, Australian model:

110 – 120 V or 220 – 240 V AC

adjustable, 50/60 Hz

**TABLE OF CONTENTS**

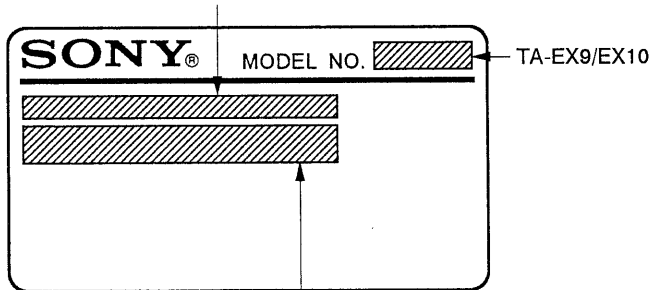
<u>Section</u>	<u>Title</u>	<u>Page</u>
Specifications	.....	1
<b>1. GENERAL</b>	.....	<b>2</b>
<b>2. DIAGRAMS</b>		
2-1.	IC Pin Function Description	3
2-2.	Block Diagram	4
2-3.	Circuit Boards Location	7
2-4.	Printed Wiring Boards – Main Section –	8
2-5.	Schematic Diagram – Main Section –	11
2-6.	Schematic Diagram – Panel Section –	16
2-7.	Printed Wiring Boards – Panel Section –	21
<b>3. EXPLODED VIEWS</b>	.....	<b>26</b>
<b>4. ELECTRICAL PARTS LIST</b>	.....	<b>29</b>

**MODEL IDENTIFICATION**

– Model Number Label –

TA-EX9: AV CENTER AMPLIFIER

TA-EX10: AV CONTROL AMPLIFIER



**TA-EX9**

AEP model: AC 220 – 230 V ~50/60 Hz 200 W

UK model: AC 220 – 230 V ~50 Hz

German, Italian model:

AC 220 – 230 V ~50 Hz 200 W

E, Saudi Arabia, Hong Kong, Malaysia,

Singapore, Australian model:

AC 110 – 120/220 – 240 V ~50/60 Hz 200 W

**TA-EX10**

AEP model: AC 220 – 230 V ~50/60 Hz 85 W

UK model: AC 220 – 230 V ~50 Hz

German, Italian model:

AC 220 – 230 V ~50 Hz 85 W

E, Saudi Arabia, Hong Kong, Malaysia,

Singapore, Australian model:

AC 110 – 120/220 – 240 V ~50/60 Hz 85 W

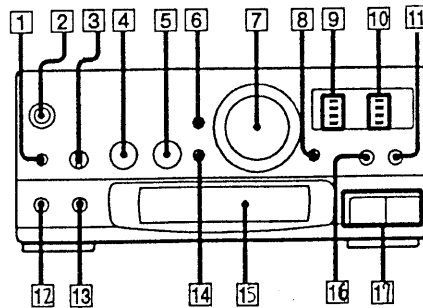
**SAFETY-RELATED COMPONENT WARNING!!**

COMPONENTS IDENTIFIED BY MARK OR DOTTED LINE WITH MARK ON THE SCHEMATIC DIAGRAMS AND IN THE PARTS LIST ARE CRITICAL TO SAFE OPERATION. REPLACE THESE COMPONENTS WITH SONY PARTS WHOSE PART NUMBERS APPEAR AS SHOWN IN THIS MANUAL OR IN SUPPLEMENTS PUBLISHED BY SONY.

**SECTION 1  
GENERAL**

This section is extracted from instruction manual.

**Index to Parts and Controls**



- 1** Remote sensor
- 2** SYSTEM POWER switch and ON/STANDBY indicator (7)  
The indicator remains lit as long as the AC power cord is connected to a wall outlet.
- 3** MIC LEVEL control (21) (E, EA, MY, SP, HK, AUS)
- 4** BASS control (20)
- 5** TREBLE control (20)
- 6** KARAOKE PON button\* (21) (E, EA, MY, SP, HK, AUS)
- 7** VOLUME control (5, 7, 20)
- 8** SOURCE DIRECT button\* (20)
- 9** PRO LOGIC MODE indicators (21)
- 10** DSP MENU indicators (20)
- 11** DSP button (20)
- 12** HEADPHONES jack (20, 24)
- 13** MIX MIC jack (phone jack) (21, 22)  
(E, EA, MY, SP, HK, AUS)
- 14** MUTING button\* (20)
- 15** Display window (20)
- 16** DOLBY PRO LOGIC button (21)
- 17** FUNCTION buttons (16, 19, 24)  
VIDEO (24)  
AUDIO (16, 19, 24)

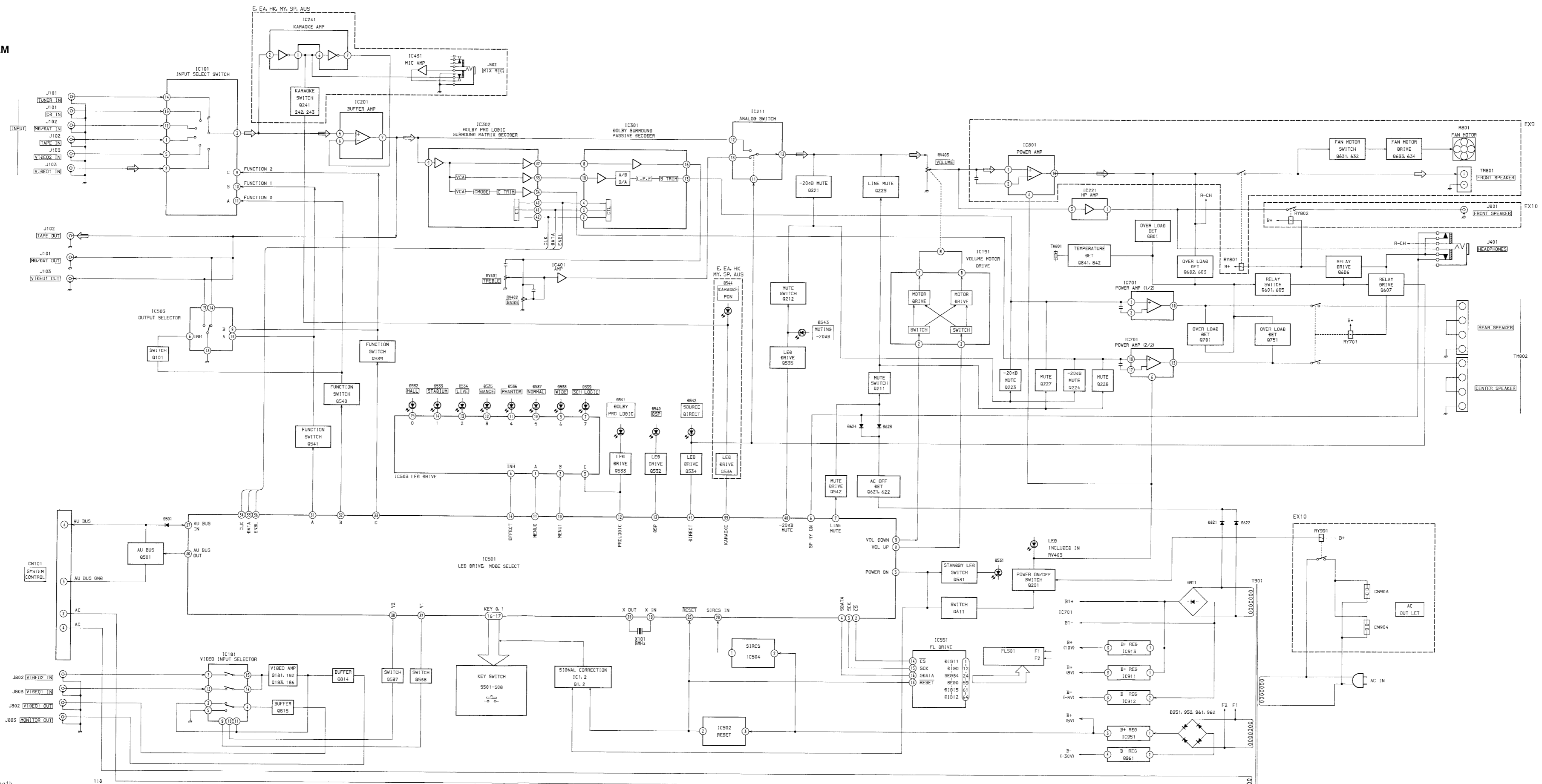
- Abbreviation  
AUS : Australian  
EA : Saudi Arabia  
HK : Hong Kong  
MY : Malaysia  
SP : Singapore

## SECTION 2 DIAGRAMS

### 2-1. IC PIN FUNCTION DESCRIPTION PANEL BOARD IC501 M37471M4-469SP (LED Drive, Mode Select)

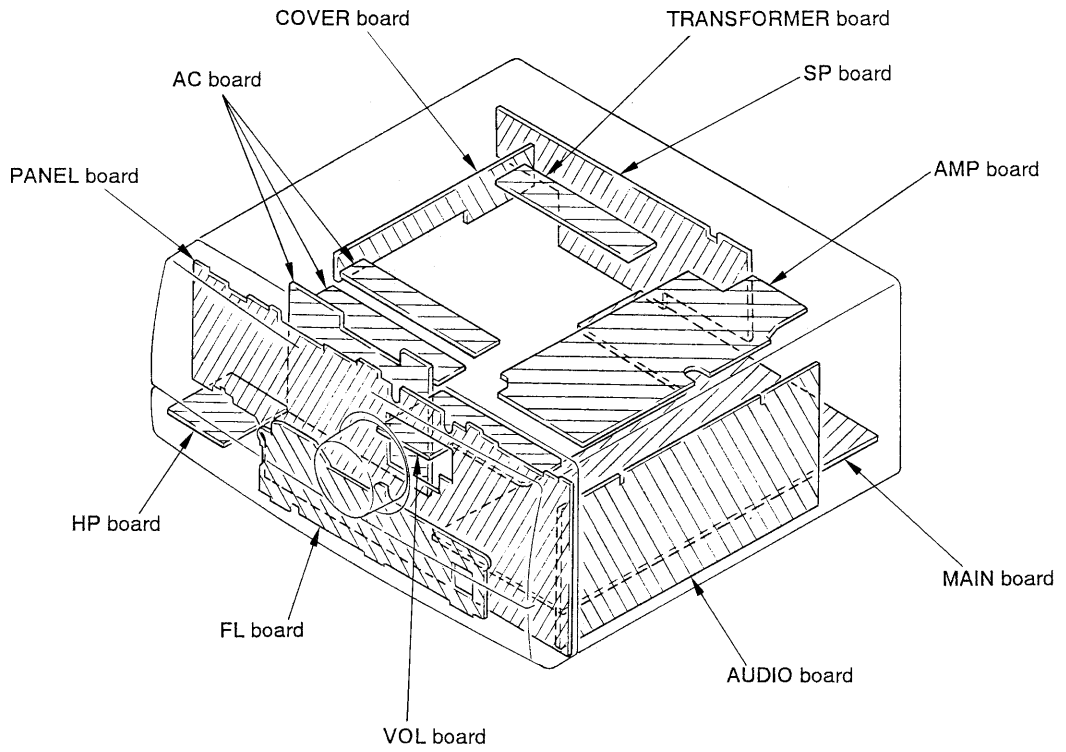
Pin No.	Pin Name	I/O	Function
1	—	—	Not used
2	$\overline{CS}$	O	IC551 FL Driver control
3	SCK	O	IC551 FL Driver control
4	SDATA	O	IC551 FL Driver control
5	POWER ON	O	System power ON
6	SP RY ON	O	Speaker relay ON
7	LINEMUTE	O	Line mute ON
8	VOLUP	O	Volume up
9	VOLDOWN	O	Volume down
10	MENU1	O	LED Control
11	MENU0	O	LED Control
12	PROLOGIC	O	LED Control
13	DSP	O	LED Control
14	EFFECT	O	LED Control
15	—	—	Not used
16	KEY1	I	A/D input
17	KEY0	I	A/D input
18	VREF	I	A/D Reference Voltage
19	XIN	I	X'TAL input
20	XOUT	O	X'TAL output
21	VSS	I	GND
22	VCC	I	+5 V
23	$\overline{E/CE}$	I	For CE = "L", E = "H"
24	$\overline{65/75}$	I	For EX9 = "H", EX = 10 "L"
25	$\overline{RESET}$	I	Reset input
26	ACOFF	I	Not used
27	AUBIN	I	AU BUS Input
28	SIRCSIN	I	SIRCS Input
29	—	—	Not used
30	AUBOUT	O	AU BUS Output
31	A	O	IC101, 102, 103 Audio function control
32	B	O	IC101, 102, 103 Audio function control
33	C	O	IC101, 102, 103 Audio function control
34	CLK	O	IC301, 302 Prologic/DSP control
35	DATA	O	IC301, 302 Prologic/DSP control
36	ENBL	O	IC301, 302 Prologic/DSP control
37	V1	O	IC181 Video function control
38	V2	O	IC181 Video function control
39	KARAOKE	O	KARAOKE PON ON
40	— 20MUTE	O	— 20 dB Muting ON
41	DIRECT	O	Direct ON
42	—	—	Not used

2-2. BLOCK DIAGRAM



• Signal path.  
 ⇨ :TUNER  
 R-CH TS Omitted :Same as L-CH

2-3. CIRCUIT BOARDS LOCATION



2-4. PRINTED WIRING BOARDS - Main Section -

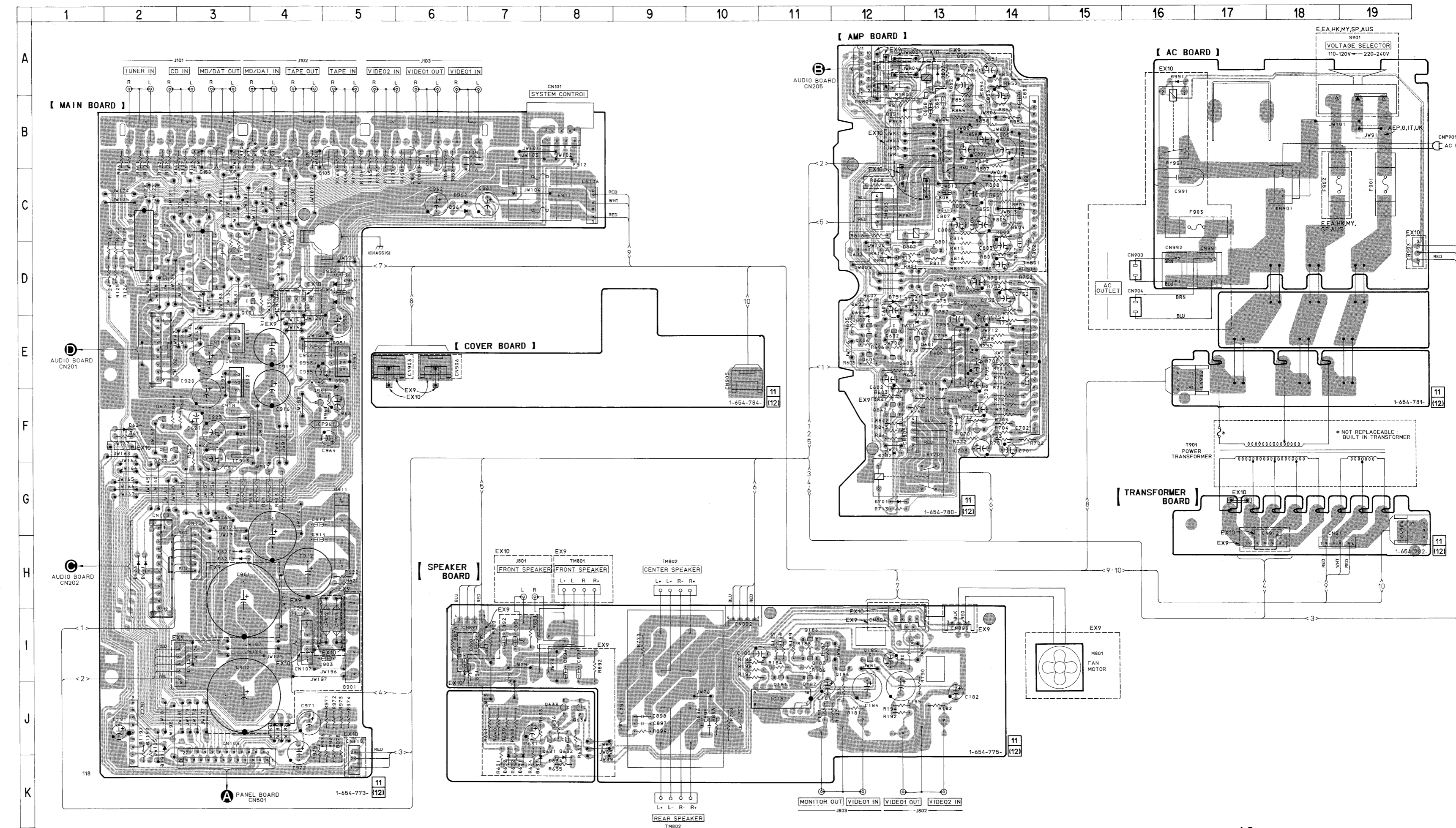
• Semiconductor Location

Ref. No.	Location
D191	J-2
D601	E-13
D602	D-12
D603	E-12
D611	H-2
D621	H-3
D622	H-3
D623	H-2
D624	F-2
D631	K-7
D632	K-7
D633	K-7
D634	K-8
D701	G-12
D702	F-12
D751	D-12
D801	D-12
D802	D-13
D803	A-13
D851	B-12
D901	I-5
D911	G-5
D951	D-5
D952	D-5
D953	E-4
D961	C-6
D962	C-6
D963	E-5
D991	A-16
IC101	D-3
IC102	C-2
IC103	D-4
IC181	J-11
IC191	J-2
IC701	E-14
IC801	B-14
IC911	E-3
IC912	E-3
IC913	F-3
IC951	E-5
Q101	D-4
Q181	I-11
Q182	I-11
Q183	I-11
Q184	I-12
Q185	I-12
Q186	I-11
Q601	E-13
Q602	E-12
Q603	E-12
Q605	E-12
Q606	E-12
Q607	E-12
Q611	F-2
Q621	F-2
Q622	F-2
Q631	J-8
Q632	J-8
Q633	J-8
Q634	J-8
Q701	F-13
Q751	D-13
Q801	D-13
Q841	F-12
Q842	F-12
Q851	A-13
Q961	F-4

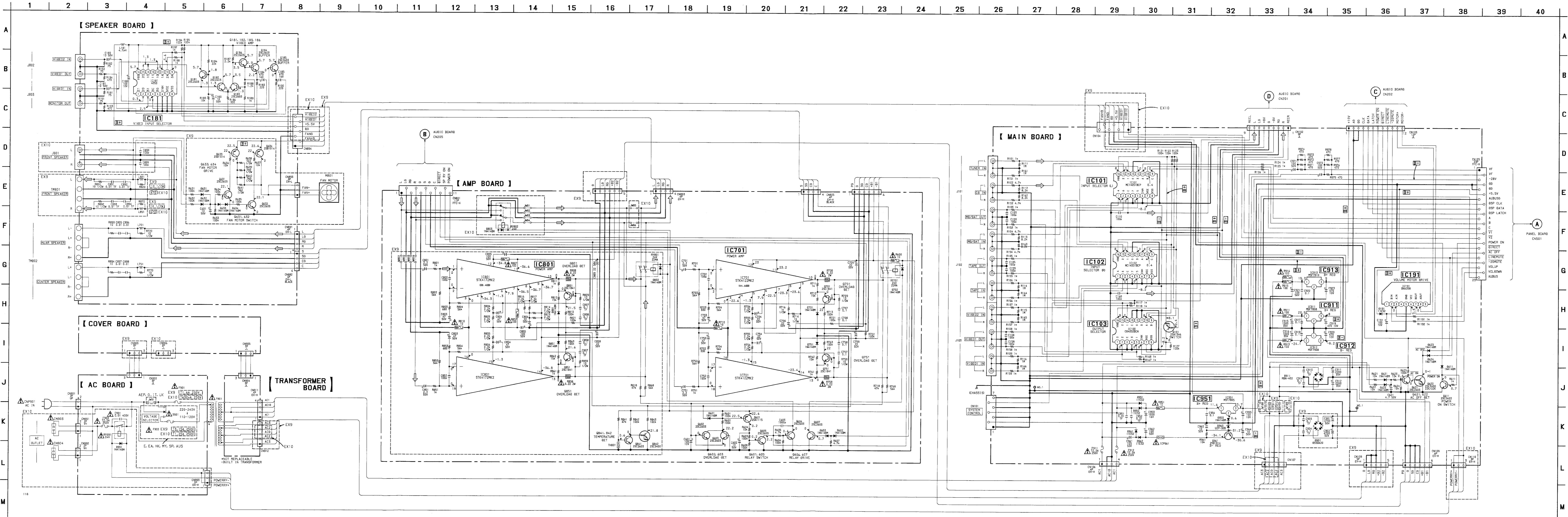
Note:

- : parts extracted from the component side.
- ▨ : Pattern on the side which enables seen.
- Abbreviation

G: German  
 IT: Italian  
 AUS: Australian  
 EA: Saudi Arabia  
 HK: Hong Kong  
 MY: Malaysia  
 SP: Singapore



2-5. SCHEMATIC DIAGRAM - Main Section - Refer to page 24 for IC Block Diagrams.



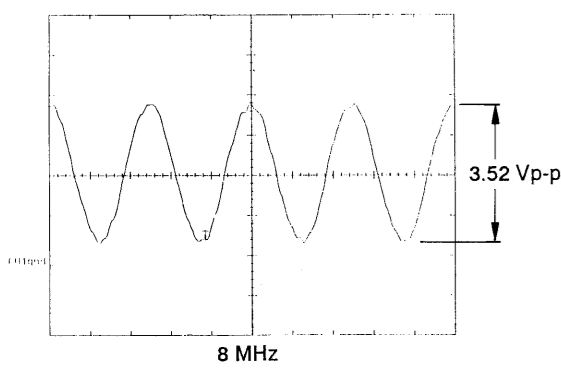
- Note:**
- All capacitors are in  $\mu\text{F}$  unless otherwise noted. pF,  $\mu\text{F}$ ,  $\mu\text{F}$  50 WV or less are not indicated except for electrolytics and tantalums.
  - All resistors are in  $\Omega$  and  $\frac{1}{4}$  W or less unless otherwise specified.
  - $\Delta$  : nonflammable resistor.
  - $\text{---}/\text{---}$  : fusible resistor.

**Note:** The components identified by mark  $\Delta$  or dotted line with mark  $\Delta$  are critical for safety. Replace only with part number specified.

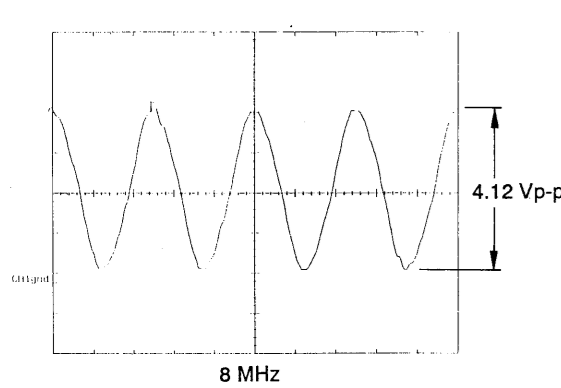
- $\text{B}+$  : B + Line.
- $\text{B}-$  : B - Line.
- Voltages and waveforms are dc with respect to ground under no-signal conditions.
- Voltages are taken with a VOM (Input Impedance  $10\text{ M}\Omega$ ). Voltage variations may be noted due to normal production tolerances.
- Signal path.
- $\text{---}$  : TUNER
- Abbreviation
  - G: German
  - IT: Italian
  - AUS: Australian
  - EA: Saudi Arabia
  - HK: Hong Kong
  - MY: Malaysia
  - SP: Singapore

Waveforms

① IC501

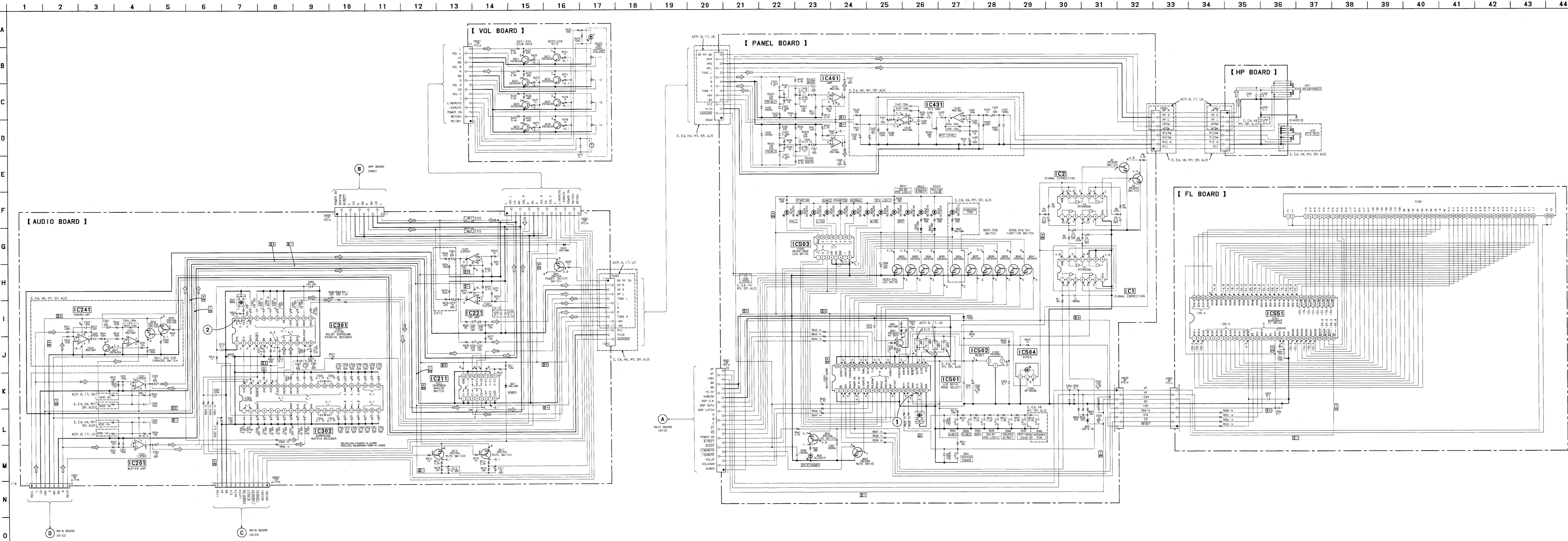


② IC301



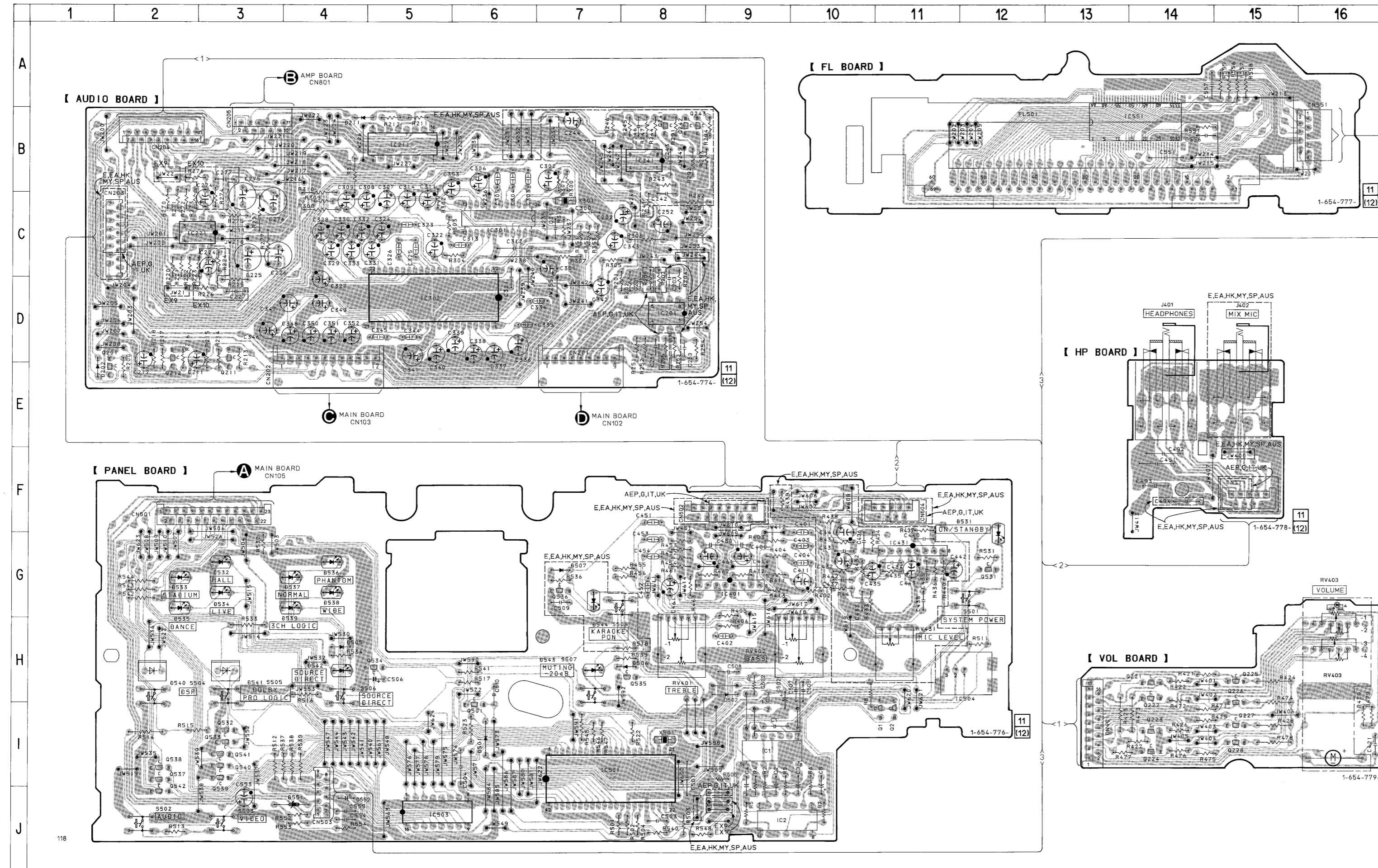
Note:

- All capacitors are in  $\mu\text{F}$  unless otherwise noted.  $\text{pF}$ :  $\mu\text{F}$  50 WV or less are not indicated except for electrolytics and tantalums.
- All resistors are in  $\Omega$  and  $\frac{1}{4}$  W or less unless otherwise specified.
- $\Delta$ : internal component.
- B+: B + Line.
- B-: B - Line.
- Voltages and waveforms are dc with respect to ground under no-signal conditions.
- Voltages are taken with a VOM (Input Impedance  $10\text{ M}\Omega$ ).
- Voltage variations may be noted due to normal production tolerances.
- Waveforms are taken with an oscilloscope.
- Voltage variations may be noted due to normal production tolerances.
- Circled numbers refer to waveforms.
- Signal path.
- TUNER
- Abbreviation: G: German, IT: Italian, AUS: Australian, EA: Saudi Arabia, HK: Hong Kong, MY: Malaysia, SP: Singapore





2-7. PRINTED WIRING BOARDS – Panel Section – • Refer to page 7 for Circuit Boards Location.



• Semiconductor Location

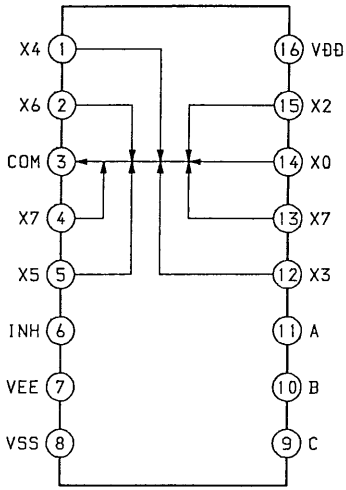
Ref. No.	Location
D202	E-1
D211	B-4
D501	I-6
D502	H-9
D505	H-4
D506	H-8
D507	G-7
D531	F-12
D532	G-3
D533	G-2
D534	G-3
D535	G-2
D536	G-4
D537	G-4
D538	G-4
D539	G-4
D540	H-2
D541	H-3
D542	H-4
D543	H-7
D544	G-7
D551	J-4
IC1	I-9
IC2	J-9
IC201	D-8
IC211	B-5
IC221	C-2
IC241	B-8
IC301	C-6
IC302	D-5
IC401	G-9
IC431	G-11
IC501	I-7
IC502	H-9
IC503	J-5
IC504	H-12
IC551	B-14
Q1	I-11
Q2	I-11
Q201	E-1
Q211	D-3
Q212	D-2
Q221	H-14
Q222	H-14
Q223	I-14
Q224	I-14
Q225	H-15
Q226	H-15
Q227	I-15
Q228	I-15
Q241	B-8
Q242	B-8
Q243	B-8
Q501	I-6
Q531	G-12
Q532	I-3
Q533	I-3
Q534	H-5
Q535	H-8
Q536	G-7
Q537	I-2
Q538	I-2
Q539	I-3
Q540	I-3
Q541	I-3
Q542	J-2

**Note:**  
 • — : parts extracted from the component side.  
 • — : parts extracted from the conductor side.  
 • — : Pattern on the side which enables seen.  
 • Abbreviation  
 G: German  
 IT: Italian  
 AUS: Australian  
 EA: Saudi Arabia  
 HK: Hong Kong  
 MY: Malaysia  
 SP: Singapore

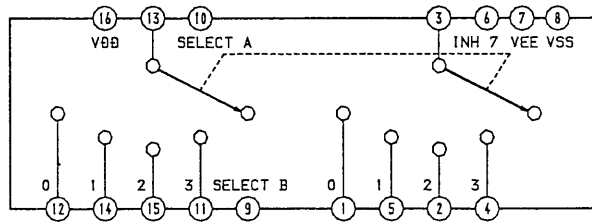
• IC Block Diagrams

– MAIN BOARD –

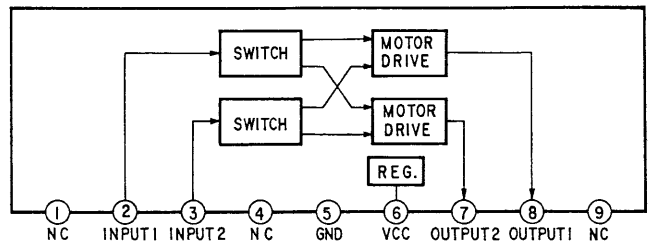
IC101, 102  
MC14051BCP



IC103 CD4052BCN

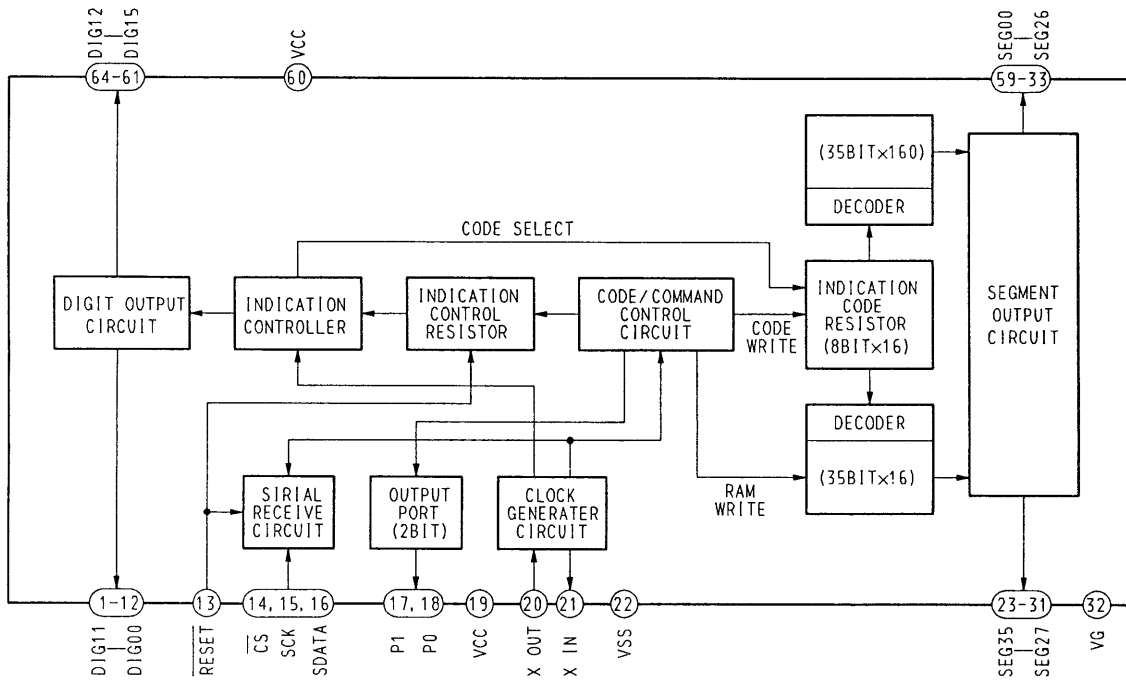


IC191 BA6208



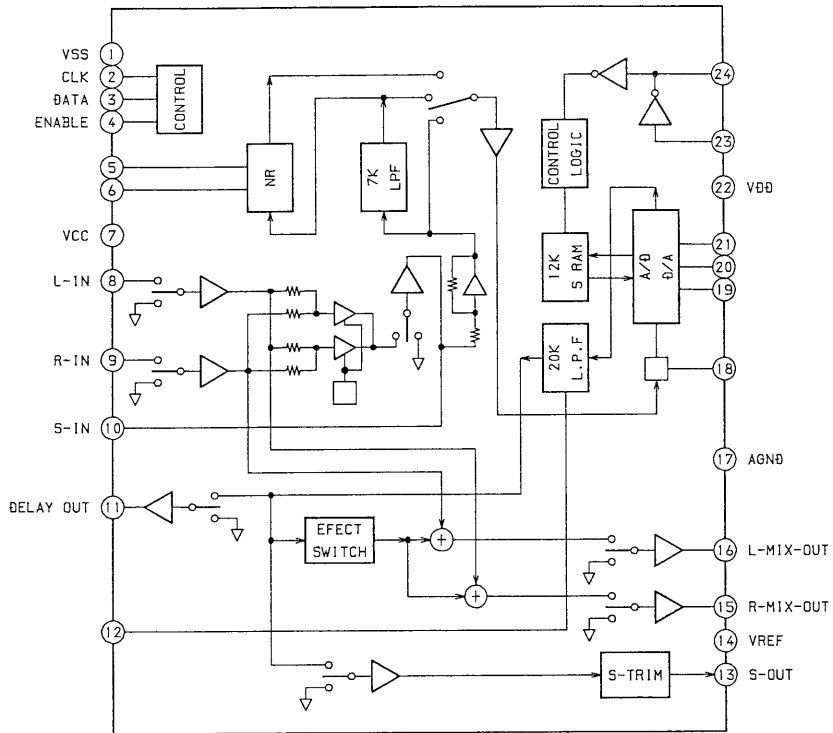
– FL BOARD –

IC551 M66004

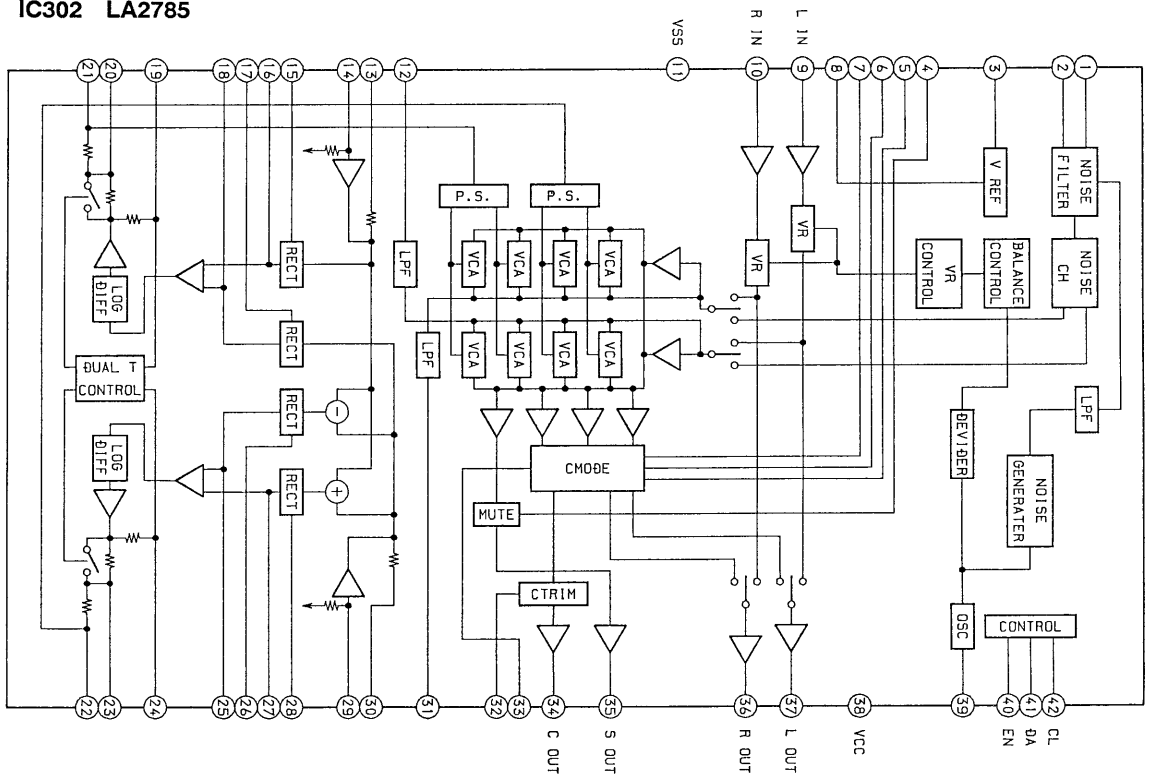


- AUDIO BOARD -

IC301 LV1010N



IC302 LA2785



## SECTION 3 EXPLODED VIEWS

**NOTE:**

- -XX and -X mean standardized parts, so they may have some difference from the original one.

- Color Indication of Appearance Parts  
Example:  
KNOB, BALANCE (WHITE)... (RED)

↑                      ↑  
 Parts Color    Cabinet's Color

- Items marked "\*" are not stocked since they are seldom required for routine service. Some delay should be anticipated when ordering these items.

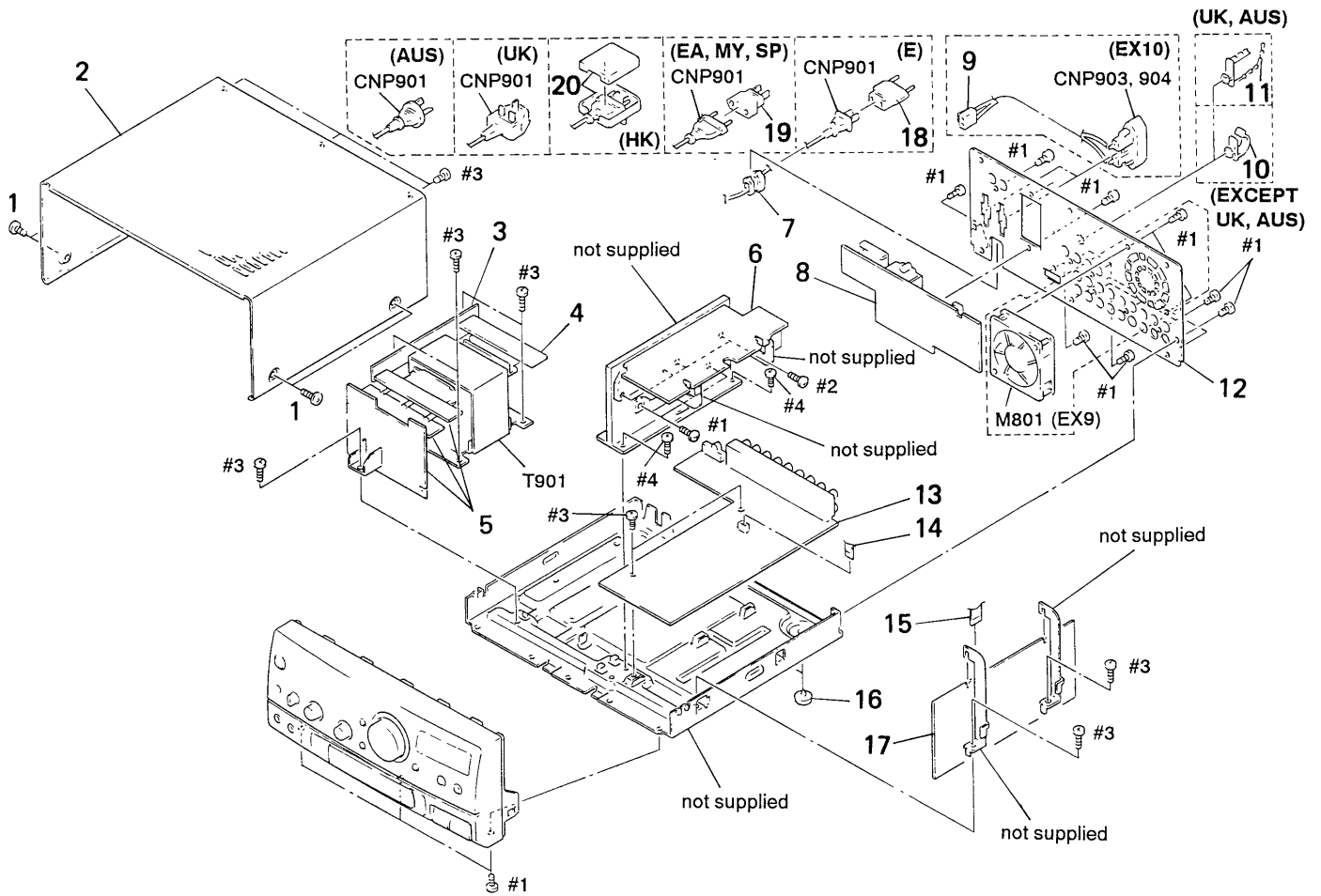
- The mechanical parts with no reference number in the exploded views are not supplied.

- Hardware (# mark) list and accessories and packing materials are given in the last of the electrical parts list.

The components identified by mark or dotted line with mark are critical for safety. Replace only with part number specified.

- Abbreviation  
 AUS : Australian    IT : Italian  
 EA : Saudi Arabia    MY : Malaysia  
 G : German    SP : Singapore  
 HK : Hong Kong

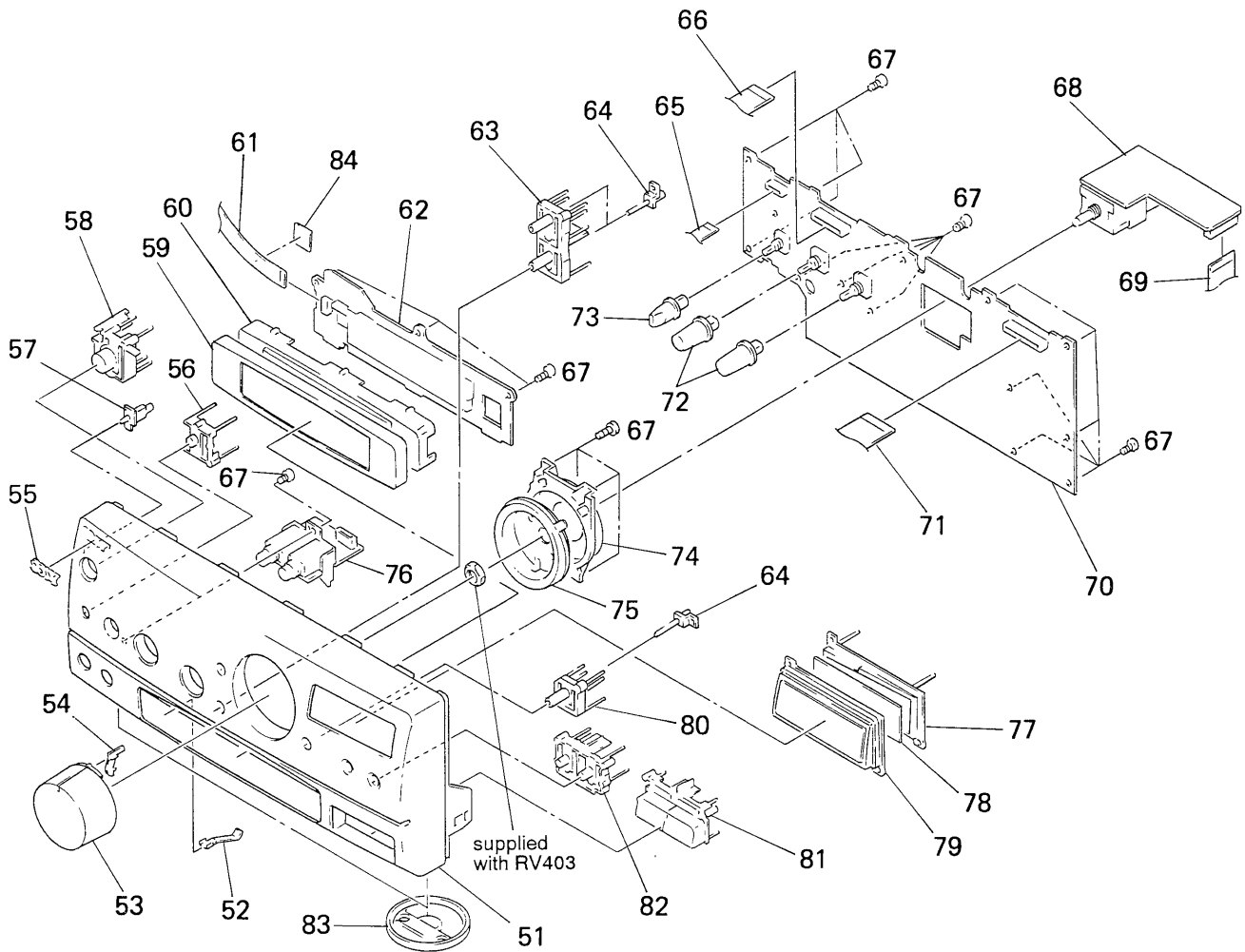
**(1) CHASSIS SECTION**



Ref. No.	Part No.	Description	Remark
1	3-363-099-01	SCREW (CASE 3 TP2)	
2	3-919-558-51	CASE (EX9)	
2	3-919-558-71	CASE (EX10)	
* 3	1-654-784-11	COVER, BOARD	
* 4	1-654-782-11	TRANSFORMER BOARD	
* 5	1-654-781-11	AC BOARD	
* 6	A-4377-008-A	AMP BOARD, COMPLETE (EX9:E, EA, MY, SP, HK, AUS)	
* 6	A-4377-024-A	AMP BOARD, COMPLETE (EX10:AEP, UK, G, IT)	
* 6	A-4377-025-A	AMP BOARD, COMPLETE (EX10:E, EA, MY, SP, HK, AUS)	
* 6	A-4377-007-A	AMP BOARD, COMPLETE (EX9:AEP, UK, G, IT)	
* 7	3-703-244-00	BUSHING (2104), CORD (EXCEPT E)	
* 7	3-703-571-11	BUSHING (S) (4516), CORD (E)	
* 8	A-4377-000-A	SP BOARD, COMPLETE (EX9)	
* 8	A-4377-017-A	SP BOARD, COMPLETE (EX10)	
9	1-751-216-52	LEAD (WITH CONNECTOR) (2 CORE) (EX10)	
* 10	4-949-235-01	HOOK (EXCEPT UK, AUS)	
11	4-956-370-02	BAND, PLUG FIXED (UK, AUS)	
* 12	4-970-971-01	PANEL, BACK (EX9:AEP)	
* 12	4-970-971-11	PANEL, BACK (EX9:G)	
* 12	4-970-971-21	PANEL, BACK (EX9:E, EA, MY, SP)	
* 12	4-970-971-31	PANEL, BACK (EX9:UK)	
* 12	4-970-971-41	PANEL, BACK (EX9:IT)	
* 12	4-970-971-51	PANEL, BACK (EX9:AUS)	
* 12	4-970-971-61	PANEL, BACK (EX9:HK)	
* 12	4-970-972-01	PANEL, BACK (EX10:AEP)	
* 12	4-970-972-11	PANEL, BACK (EX10:G)	
* 12	4-970-972-21	PANEL, BACK (EX10:E, EA, MY, SP)	
* 12	4-970-972-31	PANEL, BACK (EX10:UK)	
* 12	4-970-972-41	PANEL, BACK (EX10:IT)	
* 12	4-970-972-51	PANEL, BACK (EX10:AUS)	
* 12	4-970-972-61	PANEL, BACK (EX10:HK)	

Ref. No.	Part No.	Description	Remark
* 13	A-4371-996-A	MAIN BOARD, COMPLETE (EX9:AEP, UK, G, IT)	
* 13	A-4371-997-A	MAIN BOARD, COMPLETE (EX9:E, EA, MY, SP, HK, AUS)	
* 13	A-4377-013-A	MAIN BOARD, COMPLETE (EX10:AEP, UK, G, IT)	
* 13	A-4377-014-A	MAIN BOARD, COMPLETE (EX10:E, EA, MY, SP, HK, AUS)	
14	1-769-847-11	WIRE (FLAT TYPE) (5 CORE) (EX10)	
14	1-769-881-11	WIRE (FLAT TYPE) (7 CORE) (EX9)	
15	1-769-940-11	WIRE (FLAT TYPE) (11 CORE)	
16	4-965-822-01	FOOT	
* 17	A-4371-998-A	AUDIO BOARD, COMPLETE (EX9:AEP, UK, G, IT)	
* 17	A-4371-999-A	AUDIO BOARD, COMPLETE (EX9:E, EA, MY, SP, HK, AUS)	
* 17	A-4377-015-A	AUDIO BOARD, COMPLETE (EX10:AEP, UK, G, IT)	
* 17	A-4377-016-A	AUDIO BOARD, COMPLETE (EX10:E, EA, MY, SP, HK, AUS)	
△18	1-569-007-11	ADAPTER, CONVERSION 2P (E)	
△19	1-569-008-11	ADAPTER, CONVERSION 2P (EA, MY, SP)	
△20	1-770-019-11	ADAPTOR, CONVERSION PLUG 3P (HK)	
△CN903	1-526-794-11	OUTLET, AC (AC OUTLET) (EX10)	
△CN904	1-526-794-11	OUTLET, AC (AC OUTLET) (EX10)	
△CNP901	1-558-943-41	CORD, POWER (E)	
△CNP901	1-575-651-21	CORD, POWER (AEP, G, IT, EA, MY, SP, HK)	
△CNP901	1-696-571-11	CORD, POWER (UK)	
△CNP901	1-696-845-11	CORD, POWER (AUS)	
M801	1-698-209-11	MOTOR, DC FAN (FAN MOTOR) (EX9)	
△T901	1-427-702-11	TRANSFORMER, POWER (EX10:E, EA, MY, SP, HK, AUS)	
△T901	1-427-703-11	TRANSFORMER, POWER (EX10:AEP, UK, G, IT)	
△T901	1-427-704-11	TRANSFORMER, POWER (EX9:E, EA, MY, SP, HK, AUS)	
△T901	1-427-705-11	TRANSFORMER, POWER (EX9:AEP, UK, G, IT)	

(2) FRONT PANEL SECTION



Ref. No.	Part No.	Description	Remark	Ref. No.	Part No.	Description	Remark
51	4-970-974-01	PANEL, FRONT (EX9:AEP, UK, G, IT)		67	4-951-620-01	SCREW (2. GX8), +BVTP	
51	4-970-974-11	PANEL, FRONT (EX9:E, EA, MY, SP, HK, AUS)		* 68	1-654-779-11	VOL BOARD	
51	4-970-974-21	PANEL, FRONT (EX10:AEP, UK, G, IT)		69	1-773-038-11	WIRE (FLAT TYPE) (17 CORE)	
51	4-970-974-31	PANEL, FRONT (EX10:E, EA, MY, SP, HK, AUS)		* 70	A-4377-001-A	PANEL BOARD, COMPLETE (EX9:AEP, UK, G, IT)	
52	4-970-990-01	PLATE, GROUND		* 70	A-4377-002-A	PANEL BOARD, COMPLETE (EX9:E, EA, MY, SP, HK, AUS)	
53	4-970-955-01	KNOB (VOL)		* 70	A-4377-018-A	PANEL BOARD, COMPLETE (EX10:AEP, UK, G, IT)	
54	4-970-956-01	INDICATOR (VOL)		* 70	A-4377-019-A	PANEL BOARD, COMPLETE (EX10:E, EA, MY, SP, HK, AUS)	
55	4-962-708-01	EMBLEM (4-A), SONY		71	1-773-183-11	WIRE (FLAT TYPE) (23 CORE)	
56	4-970-964-01	LENS		72	4-970-965-01	KNOB (TONE)	
57	4-970-963-01	INDICATOR (POWER)		73	4-973-043-01	KNOB (KR) (E, EA, MY, SP, HK, AUS)	
58	4-970-962-01	BUTTON (POWER)		* 74	4-970-987-01	BRACKET (VOL)	
59	4-970-980-01	PLATE (WINDOW), ORNAMENTAL		75	4-970-979-01	PLATE (VOL), ORNAMENTAL	
60	4-970-981-01	WINDOW (FL)		* 76	1-654-778-11	HP BOARD	
61	1-769-914-11	WIRE (FLAT TYPE) (9 CORE)		77	4-970-985-01	HOLDER, LED	
* 62	1-654-777-11	FL BOARD		78	4-970-984-01	PLATE (DSP), INDICATION	
63	4-970-976-01	BUTTON (MK) (AEP, UK, G, IT)		79	4-970-982-01	WINDOW (DSP)	
63	4-970-976-11	BUTTON (MK) (E, EA, MY, SP, HK, AUS)		80	4-970-975-01	BUTTON (DIRECT)	
64	4-970-954-01	INDICATOR (D & M)		81	4-970-978-01	BUTTON (FUNCTION)	
65	1-769-846-11	WIRE (FLAT TYPE) (5 CORE) (AEP, UK, G, IT)		82	4-970-977-01	BUTTON (DSP)	
65	1-769-910-11	WIRE (FLAT TYPE) (9 CORE) (E, EA, MY, SP, HK, AUS)		83	4-972-656-01	FOOT (ORNAMENT)	
66	1-765-326-11	WIRE (FLAT TYPE) (11 CORE) (AEP, UK, G, IT)		84	4-614-901-01	INSULATOR, TERMINAL	
66	1-765-332-11	WIRE (FLAT TYPE) (15 CORE) (E, EA, MY, SP, HK, AUS)					

# SECTION 4 ELECTRICAL PARTS LIST

AC

AMP

**NOTE:**

- Due to standardization, replacements in the parts list may be different from the parts specified in the diagrams or the components used on the set.
- -XX and -X mean standardized parts, so they may have some difference from the original one.
- RESISTORS  
All resistors are in ohms.  
METAL: Metal-film resistor.  
METAL OXIDE: Metal oxide-film resistor.  
F: nonflammable
- Abbreviation  
AUS: Australian      IT: Italian  
EA: Saudi Arabia    MY: Malaysia  
G: German            SP: Singapore  
HK: Hong Kong

- Items marked "\*" are not stocked since they are seldom required for routine service. Some delay should be anticipated when ordering these items.
- SEMICONDUCTORS  
In each case, u:  $\mu$ , for example:  
uA ..  $\mu$ A.    uPA..  $\mu$ PA.  
uPB..  $\mu$ PB.. uPC..  $\mu$ PC.. uPD..  $\mu$ PD..
- CAPACITORS  
uF:  $\mu$ F
- COILS  
uH:  $\mu$ H

The components identified by mark  $\Delta$  or dotted line with mark  $\Delta$  are critical for safety. Replace only with part number specified.

When indicating parts by reference number, please include the board.

Ref. No.	Part No.	Description	Remark
*	1-654-781-11	AC BOARD *****	
	1-533-293-11	FUSE HOLDER  < CAPACITOR >	
$\Delta$ C991	1-161-744-51	CERAMIC    0.01uF	400V (EX10)
		< CONNECTOR >	
	CN901	1-580-230-11 PIN, CONNECTOR (PC BOA D) 2P	
*	CN902	1-569-499-11 PIN, CONNECTOR 3P	
$\Delta$ CN903	1-526-794-11	OUTLET, AC (AC OUTLET) (EX10)	
	CN991	1-564-321-00 PIN, CONNECTOR 2P (EX10)	
	CN992	1-564-321-00 PIN, CONNECTOR 2P (EX10)	
*	CN993	1-564-506-11 PLUG, CONNECTOR 3P (EX10)	
		< DIODE >	
	D991	8-719-987-63 DIODE    1N4148M (EX10)	
		< FUSE >	
$\Delta$ F901	1-532-259-00	FUSE, TIME LAG (1.6A 250V) (EX9)	
$\Delta$ F901	1-532-284-00	FUSE, CYLINDRICAL (0.63A 250V) (EX10)	
$\Delta$ F902	1-532-237-00	FUSE, TIME LAG (3.15A 250V) (EX9: E, EA, MY, SP, HK, AUS)	
$\Delta$ F902	1-532-285-00	FUSE, TIME LAG (1.25A 250V) (EX10: E, EA, MY, SP, HK, AUS)	
$\Delta$ F903	1-532-286-00	FUSE, TIME LAG (2.5A 250V) (EX10)	
		< RELAY >	
$\Delta$ RY991	1-755-065-11	RELAY (EX10)	
		< SWITCH >	
$\Delta$ S901	1-572-675-11	SWITCH, POWER VOLTAGE CHANGE (VOLTAGE SELECTOR) (E, EA, MY, SP, HK, AUS)	

\*\*\*\*\*

Ref. No.	Part No.	Description	Remark
*	A-4377-007-A	AMP BOARD, COMPLETE (EX9: AEP, G, IT, UK)	
*	A-4377-008-A	AMP BOARD, COMPLETE (EX9: E, EA, MY, SP, HK, AUS)	
*	A-4377-024-A	AMP BOARD, COMPLETE (EX10: AEP, G, IT, UK)	
*	A-4377-025-A	AMP BOARD, COMPLETE (EX10: E, EA, MY, SP, HK, AUS)	
		*****	
		< CAPACITOR >	
	C601	1-124-443-00 ELECT	100uF    20%    10V
	C602	1-124-907-11 ELECT	10uF     20%    50V
	C603	1-162-294-31 CERAMIC	0.001uF    10%    50V
	C701	1-124-925-11 ELECT	2.2uF     20%    100V
	C702	1-162-282-31 CERAMIC	100PF     10%    50V
	C703	1-124-910-11 ELECT	47uF      20%    50V
	C704	1-124-916-11 ELECT	22uF      20%    63V
	C706	1-124-916-11 ELECT	22uF      20%    63V
	C707	1-164-159-11 CERAMIC	0.1uF     50V
	C708	1-164-159-11 CERAMIC	0.1uF     50V
	C709	1-124-916-11 ELECT	22uF      20%    63V
	C751	1-124-925-11 ELECT	2.2uF     20%    100V
	C752	1-162-282-31 CERAMIC	100PF     10%    50V
	C753	1-124-910-11 ELECT	47uF      20%    50V
	C754	1-124-916-11 ELECT	22uF      20%    63V
	C757	1-164-159-11 CERAMIC	0.1uF     50V
	C758	1-164-159-11 CERAMIC	0.1uF     50V
	C759	1-124-916-11 ELECT	22uF      20%    63V
	C801	1-124-925-11 ELECT	2.2uF     20%    100V (EX9)
	C802	1-164-070-11 CERAMIC	100PF     5%     50V (EX9)
	C803	1-124-910-11 ELECT	47uF      20%    50V (EX9)
	C804	1-124-910-11 ELECT	47uF      20%    50V (EX9)
	C805	1-124-122-11 ELECT	100uF     20%    50V (EX9)
	C806	1-124-916-11 ELECT	22uF      20%    63V (EX9)
	C807	1-136-165-00 FILM	0.1uF     5%     50V (EX9)
	C808	1-136-165-00 FILM	0.1uF     5%     50V (EX9)

Ref. No.	Part No.	Description	Remark
C809	1-124-916-11	ELECT 22uF 20%	63V (EX9)
C851	1-124-925-11	ELECT 2.2uF 20%	100V (EX9)
C852	1-164-070-11	CERAMIC 100PF 5%	50V (EX9)
C853	1-124-910-11	ELECT 47uF 20%	50V (EX9)
C854	1-124-910-11	ELECT 47uF 20%	50V (EX9)
C855	1-124-122-11	ELECT 100uF 20%	50V (EX9)
C857	1-136-165-00	FILM 0.1uF 5%	50V (EX9)
C858	1-136-165-00	FILM 0.1uF 5%	50V (EX9)
C859	1-124-916-11	ELECT 22uF 20%	63V (EX9)

< CONNECTOR >

* CN801	1-568-830-11	SOCKET, CONNECTOR 11P	
* CN803	1-564-507-11	PLUG, CONNECTOR 4P	
* CN805	1-564-507-11	PLUG, CONNECTOR 4P	

< DIODE >

D601	8-719-987-63	DIODE 1N4148M	
D602	8-719-987-63	DIODE 1N4148M	
D603	8-719-987-63	DIODE 1N4148M	
D701	8-719-987-63	DIODE 1N4148M	
D702	8-719-987-63	DIODE 1N4148M	
D751	8-719-987-63	DIODE 1N4148M	
D801	8-719-987-63	DIODE 1N4148M (EX9)	
D802	8-719-987-63	DIODE 1N4148M (EX9)	
D803	8-719-987-63	DIODE 1N4148M (EX10)	
D851	8-719-987-63	DIODE 1N4148M (EX9)	

< IC >

IC701	8-749-920-19	IC STK4122MK2	
IC801	8-749-920-10	IC STK4172MK2 (EX9)	

< TRANSISTOR >

Q601	8-729-119-76	TRANSISTOR 2SA1175-HFE	
Q602	8-729-620-05	TRANSISTOR 2SC2603-EF	
Q603	8-729-620-05	TRANSISTOR 2SC2603-EF	
Q605	8-729-620-05	TRANSISTOR 2SC2603-EF	
Q606	8-729-620-05	TRANSISTOR 2SC2603-EF	
Q607	8-729-620-05	TRANSISTOR 2SC2603-EF	
Q701	8-729-140-84	TRANSISTOR 2SC1841-PAFAEA	
Q751	8-729-140-84	TRANSISTOR 2SC1841-PAFAEA	
Q801	8-729-140-84	TRANSISTOR 2SC1841-PAFAEA (EX9)	
Q841	8-729-620-05	TRANSISTOR 2SC2603-EF (EX9)	
Q842	8-729-900-36	TRANSISTOR DTC124ES (EX9)	
Q851	8-729-140-84	TRANSISTOR 2SC1841-PAFAEA (EX9)	

< RESISTOR >

<u>△</u> R600	1-212-857-00	FUSIBLE 10 5%	1/4W F
R601	1-249-441-11	CARBON 100K 5%	1/4W
R602	1-249-441-11	CARBON 100K 5%	1/4W

Ref. No.	Part No.	Description	Remark
R603	1-249-441-11	CARBON 100K 5%	1/4W
R604	1-249-429-11	CARBON 10K 5%	1/4W
R605	1-249-425-11	CARBON 4.7K 5%	1/4W
R606	1-249-441-11	CARBON 100K 5%	1/4W
R607	1-249-425-11	CARBON 4.7K 5%	1/4W
R608	1-249-441-11	CARBON 100K 5%	1/4W
R701	1-249-417-11	CARBON 1K 5%	1/4W
R702	1-249-438-11	CARBON 56K 5%	1/4W
R703	1-249-411-11	CARBON 330 5%	1/4W
R704	1-249-438-11	CARBON 56K 5%	1/4W
R705	1-260-103-11	CARBON 2.2K 5%	1/2W
R706	1-260-103-11	CARBON 2.2K 5%	1/2W
<u>△</u> R708	1-217-151-00	RES. METAL PLATE 0.22	F
R709	1-260-076-11	CARBON 10 5%	1/2W
<u>△</u> R710	1-212-857-00	FUSIBLE 10 5%	1/4W F
R711	1-249-417-11	CARBON 1K 5%	1/4W
R712	1-249-431-11	CARBON 15K 5%	1/4W
R713	1-249-441-11	CARBON 100K 5%	1/4W
R714	1-260-099-11	CARBON 1K 5%	1/2W
R716	1-260-099-11	CARBON 1K 5%	1/2W
R718	1-249-437-11	CARBON 47K 5%	1/4W
R721	1-249-441-11	CARBON 100K 5%	1/4W
R722	1-249-441-11	CARBON 100K 5%	1/4W
R751	1-249-417-11	CARBON 1K 5%	1/4W
R752	1-249-438-11	CARBON 56K 5%	1/4W
R753	1-249-411-11	CARBON 330 5%	1/4W
R754	1-249-438-11	CARBON 56K 5%	1/4W
R755	1-260-103-11	CARBON 2.2K 5%	1/2W
R756	1-260-103-11	CARBON 2.2K 5%	1/2W
<u>△</u> R758	1-217-151-00	RES. METAL PLATE 0.22	F
R759	1-260-076-11	CARBON 10 5%	1/2W
R761	1-249-417-11	CARBON 1K 5%	1/4W
R762	1-249-431-11	CARBON 15K 5%	1/4W
R763	1-249-441-11	CARBON 100K 5%	1/4W
R768	1-249-438-11	CARBON 56K 5%	1/4W
R801	1-249-417-11	CARBON 1K 5%	1/4W (EX9)
R802	1-249-438-11	CARBON 56K 5%	1/4W (EX9)
R803	1-249-415-11	CARBON 680 5%	1/4W (EX9)
R804	1-249-438-11	CARBON 56K 5%	1/4W (EX9)
R805	1-260-103-11	CARBON 2.2K 5%	1/2W (EX9)
R806	1-260-103-11	CARBON 2.2K 5%	1/2W (EX9)
<u>△</u> R807	1-212-881-11	FUSIBLE 100 5%	1/4W F (EX9)
<u>△</u> R808	1-217-151-00	RES. METAL PLATE 0.22	F (EX9)
R809	1-260-076-11	CARBON 10 5%	1/2W (EX9)
<u>△</u> R810	1-212-857-00	FUSIBLE 10 5%	1/4W F (EX9)
R811	1-249-417-11	CARBON 1K 5%	1/4W (EX9)
R812	1-249-431-11	CARBON 15K 5%	1/4W (EX9)
R813	1-249-441-11	CARBON 100K 5%	1/4W (EX9)

The components identified by mark △ or dotted line with mark △ are critical for safety. Replace only with part number specified.



<b>AMP</b>	<b>AUDIO</b>
------------	--------------

Ref. No.	Part No.	Description	Remark		
R814	1-260-103-11	CARBON	2.2K	5%	1/2W (EX9)
R815	1-260-103-11	CARBON	2.2K	5%	1/2W (EX9)
R816	1-260-103-11	CARBON	2.2K	5%	1/2W (EX9)
R817	1-260-103-11	CARBON	2.2K	5%	1/2W (EX9)
R818	1-249-437-11	CARBON	47K	5%	1/4W (EX9)
R821	1-249-441-11	CARBON	100K	5%	1/4W (EX9)
R841	1-249-437-11	CARBON	47K	5%	1/4W (EX9)
R842	1-249-441-11	CARBON	100K	5%	1/4W (EX9)
R843	1-249-441-11	CARBON	100K	5%	1/4W (EX9)
R851	1-249-417-11	CARBON	1K	5%	1/4W (EX9)
R852	1-249-438-11	CARBON	56K	5%	1/4W (EX9)
R853	1-249-415-11	CARBON	680	5%	1/4W (EX9)
R854	1-249-438-11	CARBON	56K	5%	1/4W (EX9)
R855	1-260-103-11	CARBON	2.2K	5%	1/2W (EX9)
R856	1-260-103-11	CARBON	2.2K	5%	1/2W (EX9)
△R857	1-212-881-11	FUSIBLE	100	5%	1/4W F (EX9)
△R858	1-217-151-00	RES, METAL PLATE	0.22		F (EX9)
R859	1-260-076-11	CARBON	10	5%	1/2W (EX9)
R861	1-249-417-11	CARBON	1K	5%	1/4W (EX9)
R862	1-249-431-11	CARBON	15K	5%	1/4W (EX9)
R863	1-249-441-11	CARBON	100K	5%	1/4W (EX9)
R868	1-249-438-11	CARBON	56K	5%	1/4W (EX9)
< RELAY >					
RY701	1-515-920-11	RELAY (24V)			
RY801	1-515-920-11	RELAY (24V) (EX9)			
RY802	1-515-804-11	RELAY (EX10)			
< THERMISTOR >					
TH801	1-807-796-11	THERMISTOR (EX9)			
*****					
*	A-4371-998-A	AUDIO BOARD, COMPLETE (EX9:AEP, G, IT, UK)			
*	A-4371-999-A	AUDIO BOARD, COMPLETE (EX9:E, EA, MY, SP, HK, AUS)			
*	A-4377-015-A	AUDIO BOARD, COMPLETE (EX10:AEP, G, IT, UK)			
*	A-4377-016-A	AUDIO BOARD, COMPLETE (EX10:E, EA, MY, SP, HK, AUS)			
*****					
< CAPACITOR >					
C201	1-164-070-11	CERAMIC	100PF	5%	50V
C202	1-124-907-11	ELECT	10uF	20%	50V
C203	1-164-070-11	CERAMIC	100PF	5%	50V
C211	1-124-907-11	ELECT	10uF	20%	50V
C212	1-124-907-11	ELECT	10uF	20%	50V
C224	1-124-907-11	ELECT	10uF	20%	50V (EX10)
C225	1-124-472-11	ELECT	470uF	20%	10V
C226	1-124-472-11	ELECT	470uF	20%	10V
C227	1-164-159-11	CERAMIC	0.1uF		50V (EX10)

Ref. No.	Part No.	Description	Remark		
C242	1-162-282-31	CERAMIC	100PF	10%	50V (E, EA, MY, SP, HK, AUS)
C243	1-162-600-11	CERAMIC	0.0047uF	20%	16V (E, EA, MY, SP, HK, AUS)
C244	1-124-907-11	ELECT	10uF	20%	50V (E, EA, MY, SP, HK, AUS)
C246	1-162-282-31	CERAMIC	100PF	10%	50V (E, EA, MY, SP, HK, AUS)
C251	1-164-070-11	CERAMIC	100PF	5%	50V
C252	1-124-907-11	ELECT	10uF	20%	50V
C253	1-164-070-11	CERAMIC	100PF	5%	50V
C274	1-124-907-11	ELECT	10uF	20%	50V (EX10)
C275	1-124-472-11	ELECT	470uF	20%	10V
C276	1-124-472-11	ELECT	470uF	20%	10V
C277	1-164-159-11	CERAMIC	0.1uF		50V (EX10)
C300	1-162-286-21	CERAMIC	220PF	10%	50V
C301	1-124-443-00	ELECT	100uF	20%	10V
C302	1-104-666-11	ELECT	220uF	20%	10V
C303	1-136-159-00	FILM	0.033uF	5%	50V
C304	1-130-473-00	MYLAR	0.0015uF	5%	50V
C305	1-136-159-00	FILM	0.033uF	5%	50V
C306	1-124-903-11	ELECT	1uF	20%	50V
C307	1-124-907-11	ELECT	10uF	20%	50V
C308	1-124-907-11	ELECT	10uF	20%	50V
C309	1-124-907-11	ELECT	10uF	20%	50V
C310	1-164-159-11	CERAMIC	0.1uF		50V
C311	1-124-925-11	ELECT	2.2uF	20%	100V
C312	1-164-159-11	CERAMIC	0.1uF		50V
C313	1-136-159-00	FILM	0.033uF	5%	50V
C314	1-124-907-11	ELECT	10uF	20%	50V
C321	1-162-292-31	CERAMIC	680PF	10%	50V
C322	1-124-907-11	ELECT	10uF	20%	50V
C323	1-136-173-00	FILM	0.47uF	5%	50V
C324	1-124-477-11	ELECT	47uF	20%	25V
C325	1-136-165-00	FILM	0.1uF	5%	50V
C326	1-136-165-00	FILM	0.1uF	5%	50V
C327	1-124-465-00	ELECT	0.47uF	20%	50V
C328	1-126-963-11	ELECT	4.7uF	20%	50V
C329	1-124-465-00	ELECT	0.47uF	20%	50V
C330	1-126-963-11	ELECT	4.7uF	20%	50V
C331	1-124-250-11	ELECT	0.15uF	20%	50V
C332	1-126-962-11	ELECT	3.3uF	20%	50V
C333	1-124-250-11	ELECT	0.15uF	20%	50V
C334	1-136-157-00	FILM	0.022uF	5%	50V
C335	1-136-161-00	FILM	0.047uF	5%	50V
C336	1-104-666-11	ELECT	220uF	20%	10V
C337	1-124-907-11	ELECT	10uF	20%	50V
C338	1-124-907-11	ELECT	10uF	20%	50V
C339	1-124-907-11	ELECT	10uF	20%	50V

The components identified by mark △ or dotted line with mark △ are critical for safety. Replace only with part number specified.

# AUDIO

Ref. No.	Part No.	Description	Remark		
C340	1-124-907-11	ELECT	10uF	20%	50V
C341	1-104-666-11	ELECT	220uF	20%	10V
C342	1-124-907-11	ELECT	10uF	20%	50V
C343	1-124-907-11	ELECT	10uF	20%	50V
C344	1-136-165-00	FILM	0.1uF	5%	50V
C345	1-136-165-00	FILM	0.1uF	5%	50V
C346	1-124-465-00	ELECT	0.47uF	20%	50V
C347	1-126-963-11	ELECT	4.7uF	20%	50V
C348	1-124-465-00	ELECT	0.47uF	20%	50V
C349	1-126-963-11	ELECT	4.7uF	20%	50V
C350	1-124-250-11	ELECT	0.15uF	20%	50V
C351	1-126-962-11	ELECT	3.3uF	20%	50V
C352	1-124-250-11	ELECT	0.15uF	20%	50V
C353	1-124-443-00	ELECT	100uF	20%	10V
< CONNECTOR >					
* CN201	1-569-504-11	PIN, CONNECTOR 9P			
* CN202	1-569-507-11	PIN, CONNECTOR 12P			
* CN203	1-568-830-11	SOCKET, CONNECTOR 11P (AEP, G, IT, UK)			
* CN203	1-568-834-11	SOCKET, CONNECTOR 15P (E, EA, MY, SP, HK, AUS)			
CN204	1-568-860-11	SOCKET, CONNECTOR 17P			
* CN205	1-568-854-11	SOCKET, CONNECTOR 11P			
< DIODE >					
D202	8-719-987-63	DIODE	1N4148M		
D211	8-719-987-63	DIODE	1N4148M		
< IC >					
IC201	8-759-910-83	IC	TL072ACP		
IC211	8-759-140-53	IC	uPD4053BC		
IC221	8-759-910-83	IC	TL072ACP		
IC241	8-759-634-51	IC	M5218AP	(E, EA, HK, MY, SP, AUS)	
IC301	8-759-168-98	IC	LV1010N		
IC302	8-759-248-74	IC	LA2785		
< TRANSISTOR >					
Q201	8-729-900-63	TRANSISTOR	DTA124ES		
Q211	8-729-900-63	TRANSISTOR	DTA124ES		
Q212	8-729-900-63	TRANSISTOR	DTA124ES		
Q241	8-729-141-30	TRANSISTOR	2SC3623A-LK	(E, EA, MY, SP, HK, AUS)	
Q242	8-729-900-63	TRANSISTOR	DTA124ES	(E, EA, MY, SP, HK, AUS)	
Q243	8-729-900-63	TRANSISTOR	DTA124ES	(E, EA, MY, SP, HK, AUS)	
< RESISTOR >					
R200	1-249-417-11	CARBON	1K	5%	1/4W
R201	1-249-429-11	CARBON	10K	5%	1/4W

Ref. No.	Part No.	Description	Remark		
R202	1-249-430-11	CARBON	12K	5%	1/4W
R203	1-249-429-11	CARBON	10K	5%	1/4W
					(E, EA, MY, SP, HK, AUS)
R204	1-249-430-11	CARBON	12K	5%	1/4W
R205	1-249-429-11	CARBON	10K	5%	1/4W
					(AEP, G, IT, UK)
R211	1-249-441-11	CARBON	100K	5%	1/4W
R212	1-249-417-11	CARBON	1K	5%	1/4W
R213	1-249-417-11	CARBON	1K	5%	1/4W
R214	1-249-421-11	CARBON	2.2K	5%	1/4W
R215	1-249-429-11	CARBON	10K	5%	1/4W
R216	1-249-417-11	CARBON	1K	5%	1/4W
R217	1-249-421-11	CARBON	2.2K	5%	1/4W
R218	1-249-429-11	CARBON	10K	5%	1/4W
R220	1-249-417-11	CARBON	1K	5%	1/4W
R221	1-247-903-00	CARBON	1M	5%	1/4W
R222	1-249-422-11	CARBON	2.7K	5%	1/4W
R223	1-249-429-11	CARBON	10K	5%	1/4W
R224	1-249-441-11	CARBON	100K	5%	1/4W (EX10)
R224	1-249-441-11	CARBON	100K	5%	1/4W
					(E, EA, MY, SP, HK, AUS)
R225	1-249-399-11	CARBON	33	5%	1/4W
R226	1-249-413-11	CARBON	470	5%	1/4W (EX10)
R227	1-249-429-11	CARBON	10K	5%	1/4W
R241	1-249-441-11	CARBON	100K	5%	1/4W
					(E, EA, MY, SP, HK, AUS)
R242	1-249-441-11	CARBON	100K	5%	1/4W
					(E, EA, MY, SP, HK, AUS)
R243	1-249-441-11	CARBON	100K	5%	1/4W
					(E, EA, MY, SP, HK, AUS)
R244	1-249-441-11	CARBON	100K	5%	1/4W
					(E, EA, MY, SP, HK, AUS)
R245	1-249-441-11	CARBON	100K	5%	1/4W
					(E, EA, MY, SP, HK, AUS)
R246	1-249-441-11	CARBON	100K	5%	1/4W
					(E, EA, MY, SP, HK, AUS)
R247	1-249-441-11	CARBON	100K	5%	1/4W
					(E, EA, MY, SP, HK, AUS)
R251	1-249-429-11	CARBON	10K	5%	1/4W
R252	1-249-430-11	CARBON	12K	5%	1/4W
R253	1-249-429-11	CARBON	10K	5%	1/4W
					(E, EA, MY, SP, HK, AUS)
R254	1-249-430-11	CARBON	12K	5%	1/4W
R255	1-249-429-11	CARBON	10K	5%	1/4W
					(AEP, G, IT, UK)
R270	1-249-417-11	CARBON	1K	5%	1/4W
R271	1-247-903-00	CARBON	1M	5%	1/4W
R272	1-249-422-11	CARBON	2.7K	5%	1/4W
R273	1-249-429-11	CARBON	10K	5%	1/4W
R274	1-249-441-11	CARBON	100K	5%	1/4W (EX10)

AUDIO	COVER	FL	HP	MAIN
-------	-------	----	----	------

Ref. No.	Part No.	Description	Remark		
R275	1-249-399-11	CARBON	33	5%	1/4W
R276	1-249-413-11	CARBON	470	5%	1/4W (EX10)
R277	1-249-429-11	CARBON	10K	5%	1/4W
R291	1-249-429-11	CARBON	10K	5%	1/4W (E, EA, MY, SP, HK, AUS)
R292	1-249-441-11	CARBON	100K	5%	1/4W (E, EA, MY, SP, HK, AUS)
R293	1-249-441-11	CARBON	100K	5%	1/4W (E, EA, MY, SP, HK, AUS)
R294	1-249-417-11	CARBON	1K	5%	1/4W (E, EA, MY, SP, HK, AUS)
R300	1-247-903-00	CARBON	1M	5%	1/4W
R301	1-249-411-11	CARBON	330	5%	1/4W
R302	1-249-436-11	CARBON	39K	5%	1/4W
R303	1-249-436-11	CARBON	39K	5%	1/4W
R304	1-249-432-11	CARBON	18K	5%	1/4W
R305	1-249-417-11	CARBON	1K	5%	1/4W
R306	1-249-417-11	CARBON	1K	5%	1/4W
R307	1-249-389-11	CARBON	4.7	5%	1/4W
R308	1-249-411-11	CARBON	330	5%	1/4W
R309	1-249-411-11	CARBON	330	5%	1/4W
R310	1-249-418-11	CARBON	1.2K	5%	1/4W
R311	1-249-418-11	CARBON	1.2K	5%	1/4W
R312	1-249-417-11	CARBON	1K	5%	1/4W
R351	1-249-417-11	CARBON	1K	5%	1/4W
R352	1-249-417-11	CARBON	1K	5%	1/4W
R353	1-249-417-11	CARBON	1K	5%	1/4W
< VIBRATOR >					
X301	1-579-125-11	VIBRATOR, CERAMIC (8MHz)			
*****					
*	1-654-784-11	COVER BOARD	*****		
< CONNECTOR >					
CN903	1-569-490-11	SOCKET, CONNECTOR 3P (EX9)			
* CN904	1-569-499-11	PIN, CONNECTOR 3P			
CN905	1-569-490-11	SOCKET, CONNECTOR 3P			
CN906	1-569-490-11	SOCKET, CONNECTOR 3P (EX10)			
*****					
*	1-654-777-11	FL BOARD	*****		
*	4-970-986-01	HOLDER (FL)			
< CAPACITOR >					
C551	1-162-282-31	CERAMIC	100PF	10%	50V
C556	1-164-159-11	CERAMIC	0.1uF		50V
C557	1-164-159-11	CERAMIC	0.1uF		50V

Ref. No.	Part No.	Description	Remark		
< CONNECTOR >					
* CN551	1-568-852-11	SOCKET, CONNECTOR 9P			
< FILTER >					
FL501	1-517-367-11	INDICATOR TUBE, FLUORESCENT			
< IC >					
IC551	8-759-261-63	IC M66004M6FP			
< RESISTOR >					
R551	1-249-434-11	CARBON	27K	5%	1/4W
R555	1-249-417-11	CARBON	1K	5%	1/4W
R556	1-249-417-11	CARBON	1K	5%	1/4W
R557	1-249-417-11	CARBON	1K	5%	1/4W
R558	1-249-417-11	CARBON	1K	5%	1/4W
*****					
*	1-654-778-11	HP BOARD	*****		
< CAPACITOR >					
C491	1-164-159-11	CERAMIC	0.1uF		50V
C492	1-164-159-11	CERAMIC	0.1uF		50V
C493	1-164-159-11	CERAMIC	0.1uF		50V
C494	1-164-159-11	CERAMIC	0.1uF		50V (E, EA, MY, SP, HK, AUS)
< CONNECTOR >					
* CN511	1-568-824-11	SOCKET, CONNECTOR 5P (AEP, G, IT, UK)			
* CN511	1-568-828-11	SOCKET, CONNECTOR 9P (E, EA, MY, SP, HK, AUS)			
< JACK >					
J401	1-507-854-21	JACK, LARGE TYPE (HEADPHONES)	(AEP, G, IT, UK)		
J401	1-507-854-00	JACK, PHONE (HEADPHONES)	(E, EA, MY, SP, HK, AUS)		
J402	1-507-854-00	JACK, PHONE (MIX MIC)	(E, EA, MY, SP, HK, AUS)		
*****					
*	A-4371-996-A	MAIN BOARD, COMPLETE (EX9: AEP, G, IT, UK)			
*	A-4371-997-A	MAIN BOARD, COMPLETE (EX9: E, EA, MY, SP, HK, AUS)			
*	A-4377-013-A	MAIN BOARD, COMPLETE (EX10: AEP, G, IT, UK)			
*	A-4377-014-A	MAIN BOARD, COMPLETE (EX10: E, EA, MY, SP, HK, AUS)			
*****					
	1-533-293-11	FUSE HOLDER			
*	3-309-144-21	HEAT SINK			
	7-685-646-79	SCREW +BVTP 3X8 TYPE2 N-S			

# MAIN

Ref. No.	Part No.	Description	Remark		
*	4-942-204-01	PLATE, GROUND			
< CAPACITOR >					
C103	1-164-070-11	CERAMIC	100PF	5%	50V
C105	1-164-070-11	CERAMIC	100PF	5%	50V
C108	1-164-070-11	CERAMIC	100PF	5%	50V
C110	1-164-070-11	CERAMIC	100PF	5%	50V
C153	1-164-070-11	CERAMIC	100PF	5%	50V
C155	1-164-070-11	CERAMIC	100PF	5%	50V
C158	1-164-070-11	CERAMIC	100PF	5%	50V
C160	1-164-070-11	CERAMIC	100PF	5%	50V
C191	1-124-443-00	ELECT	100uF	20%	10V
C621	1-126-963-11	ELECT	4.7uF	20%	50V
C901	1-126-138-11	ELECT	4700uF	20%	50V(EX9)
C902	1-126-138-11	ELECT	4700uF	20%	50V(EX9)
C903	1-136-165-00	FILM	0.1uF	5%	50V(EX9)
C904	1-136-165-00	FILM	0.1uF	5%	50V(EX9)
C911	1-124-618-11	ELECT	2200uF	20%	35V
C912	1-124-618-11	ELECT	2200uF	20%	35V
C913	1-136-165-00	FILM	0.1uF	5%	50V
C914	1-136-165-00	FILM	0.1uF	5%	50V
C915	1-126-972-11	ELECT	1000uF	20%	35V
C916	1-126-972-11	ELECT	1000uF	20%	35V
C917	1-164-159-11	CERAMIC	0.1uF		50V
C918	1-164-159-11	CERAMIC	0.1uF		50V
C919	1-124-472-11	ELECT	470uF	20%	10V
C920	1-124-472-11	ELECT	470uF	20%	10V
C921	1-124-122-11	ELECT	100uF	20%	50V
C922	1-164-159-11	CERAMIC	0.1uF		50V
C923	1-124-472-11	ELECT	470uF	20%	10V
C951	1-136-153-00	FILM	0.01uF	5%	50V
C952	1-136-153-00	FILM	0.01uF	5%	50V
C953	1-126-942-61	ELECT	1000uF	20%	16V
C954	1-164-159-11	CERAMIC	0.1uF		50V
C955	1-124-443-00	ELECT	100uF	20%	10V
C961	1-124-122-11	ELECT	100uF	20%	50V
C962	1-124-122-11	ELECT	100uF	20%	50V
C963	1-124-907-11	ELECT	10uF	20%	50V
C964	1-124-907-11	ELECT	10uF	20%	50V
C971	1-124-122-11	ELECT	100uF	20%	50V
C972	1-124-122-11	ELECT	100uF	20%	50V
< CONNECTOR >					
CN101	1-770-158-21	HOUSING, CONNECTOR 7P (SYSTEM CONTROL)			
* CN102	1-569-495-11	SOCKET, CONNECTOR 9P			
* CN103	1-569-498-11	SOCKET, CONNECTOR 12P			
* CN104	1-568-826-11	SOCKET, CONNECTOR 7P (EX9)			
* CN104	1-568-824-11	SOCKET, CONNECTOR 5P (EX10)			

Ref. No.	Part No.	Description	Remark		
* CN105	1-568-839-11	SOCKET, CONNECTOR 23P			
* CN106	1-564-507-11	PLUG, CONNECTOR 4P			
* CN107	1-564-508-11	PLUG, CONNECTOR 5P (EX9)			
* CN107	1-564-506-11	PLUG, CONNECTOR 3P (EX10)			
* CN108	1-564-508-11	PLUG, CONNECTOR 5P (EX9)			
* CN109	1-564-509-11	PLUG, CONNECTOR 6P			
* CN110	1-564-506-11	PLUG, CONNECTOR 3P (EX10)			
< DIODE >					
D191	8-719-200-82	DIODE	11ES2		
D611	8-719-987-63	DIODE	1N4148M		
D621	8-719-987-63	DIODE	1N4148M		
D622	8-719-987-63	DIODE	1N4148M		
D623	8-719-987-63	DIODE	1N4148M		
D624	8-719-987-63	DIODE	1N4148M		
D901	8-719-510-68	DIODE	D5SBA20F01 (EX9)		
D911	8-719-025-03	DIODE	RBA-402-SL		
D951	8-719-200-82	DIODE	11ES2		
D952	8-719-200-82	DIODE	11ES2		
D953	8-719-987-63	DIODE	1N4148M		
D961	8-719-200-82	DIODE	11ES2		
D962	8-719-200-82	DIODE	11ES2		
D963	8-719-016-02	DIODE	UZP-30B		
< FUSE >					
△F911	1-532-203-00	FUSE, TIME LAG (2A 250V)			
△F912	1-532-203-00	FUSE, TIME LAG (2A 250V)			
< IC >					
IC101	8-759-000-47	IC	MC14051BCP		
IC102	8-759-000-47	IC	MC14051BCP		
IC103	8-759-068-07	IC	CD4052BCN		
IC191	8-759-962-08	IC	BA6208		
IC911	8-759-604-30	IC	M5F7808L		
IC912	8-759-604-48	IC	M5F7908L		
IC913	8-759-604-32	IC	M5F7810L		
IC951	8-759-231-53	IC	TA7805S		
< IC LINK >					
△ICP911	1-532-986-31	LI NK, IC (10A) (EX9)			
△ICP912	1-532-986-31	LI NK, IC (10A) (EX9)			
△ICP961	1-532-829-11	LI NK, IC (0.1A)			
< JACK >					
J101	1-770-015-11	JACK, PIN 6P (TUNER IN, CD IN, MD/DAT OUT)			
J102	1-770-015-11	JACK, PIN 6P (MD/DAT IN, TAPE OUT, TAPE IN)			
J103	1-770-015-11	JACK, PIN 6P (VIDEO 2 IN, VIDEO 1 OUT, VIDEO 1 IN)			

The components identified by mark △ or dotted line with mark △ are critical for safety. Replace only with part number specified.

MAIN	PANEL
------	-------

Ref. No.	Part No.	Description	Remark
< TRANSISTOR >			
Q101	8-729-900-63	TRANSISTOR DTA124ES	
Q611	8-729-620-05	TRANSISTOR 2SC2603-EF	
Q621	8-729-620-05	TRANSISTOR 2SC2603-EF	
Q622	8-729-900-36	TRANSISTOR DTC124ES	
Q961	8-729-118-01	TRANSISTOR 2SB1116-K (EX9)	
< RESISTOR >			
R101	1-249-417-11	CARBON 1K 5% 1/4W	
R102	1-249-425-11	CARBON 4.7K 5% 1/4W	
R103	1-249-417-11	CARBON 1K 5% 1/4W	
R104	1-249-425-11	CARBON 4.7K 5% 1/4W	
R105	1-249-417-11	CARBON 1K 5% 1/4W	
R106	1-249-417-11	CARBON 1K 5% 1/4W	
R107	1-249-417-11	CARBON 1K 5% 1/4W	
R108	1-249-417-11	CARBON 1K 5% 1/4W	
R109	1-249-417-11	CARBON 1K 5% 1/4W	
R111	1-247-903-00	CARBON 1M 5% 1/4W	
R112	1-249-428-11	CARBON 8.2K 5% 1/4W	
R113	1-249-428-11	CARBON 8.2K 5% 1/4W	
R114	1-247-903-00	CARBON 1M 5% 1/4W	
R115	1-247-903-00	CARBON 1M 5% 1/4W	
R116	1-247-903-00	CARBON 1M 5% 1/4W	
R117	1-249-417-11	CARBON 1K 5% 1/4W	
R118	1-249-417-11	CARBON 1K 5% 1/4W	
R121	1-249-441-11	CARBON 100K 5% 1/4W	
R122	1-249-441-11	CARBON 100K 5% 1/4W	
R123	1-249-441-11	CARBON 100K 5% 1/4W	
R124	1-249-417-11	CARBON 1K 5% 1/4W	
R125	1-249-417-11	CARBON 1K 5% 1/4W	
R126	1-249-417-11	CARBON 1K 5% 1/4W	
R127	1-249-441-11	CARBON 100K 5% 1/4W	
R151	1-249-417-11	CARBON 1K 5% 1/4W	
R152	1-249-425-11	CARBON 4.7K 5% 1/4W	
R153	1-249-417-11	CARBON 1K 5% 1/4W	
R154	1-249-425-11	CARBON 4.7K 5% 1/4W	
R155	1-249-417-11	CARBON 1K 5% 1/4W	
R156	1-249-417-11	CARBON 1K 5% 1/4W	
R157	1-249-417-11	CARBON 1K 5% 1/4W	
R158	1-249-417-11	CARBON 1K 5% 1/4W	
R159	1-249-417-11	CARBON 1K 5% 1/4W	
R161	1-247-903-00	CARBON 1M 5% 1/4W	
R162	1-249-428-11	CARBON 8.2K 5% 1/4W	
R163	1-249-428-11	CARBON 8.2K 5% 1/4W	
R164	1-247-903-00	CARBON 1M 5% 1/4W	
R165	1-247-903-00	CARBON 1M 5% 1/4W	
R166	1-247-903-00	CARBON 1M 5% 1/4W	
R167	1-249-417-11	CARBON 1K 5% 1/4W	

Ref. No.	Part No.	Description	Remark
R168	1-249-417-11	CARBON 1K 5% 1/4W	
R611	1-249-417-11	CARBON 1K 5% 1/4W	
R621	1-249-429-11	CARBON 10K 5% 1/4W	
R622	1-249-429-11	CARBON 10K 5% 1/4W	
R623	1-249-429-11	CARBON 10K 5% 1/4W	
R624	1-249-429-11	CARBON 10K 5% 1/4W	
R625	1-249-441-11	CARBON 100K 5% 1/4W	
△R911	1-212-881-11	FUSIBLE 100 5% 1/4W	F
△R913	1-212-881-11	FUSIBLE 100 5% 1/4W	F
△R915	1-212-881-11	FUSIBLE 100 5% 1/4W	F
△R916	1-212-881-11	FUSIBLE 100 5% 1/4W	F
△R951	1-212-857-00	FUSIBLE 10 5% 1/4W	F
R961	1-249-429-11	CARBON 10K 5% 1/4W	
R971	1-249-413-11	CARBON 470 5% 1/4W	
R972	1-249-413-11	CARBON 470 5% 1/4W	
R973	1-249-413-11	CARBON 470 5% 1/4W	
R974	1-249-413-11	CARBON 470 5% 1/4W	
R975	1-249-413-11	CARBON 470 5% 1/4W	
R976	1-249-413-11	CARBON 470 5% 1/4W	
R977	1-249-413-11	CARBON 470 5% 1/4W	
R978	1-249-413-11	CARBON 470 5% 1/4W	
R1191	1-249-417-11	CARBON 1K 5% 1/4W	
R1192	1-249-417-11	CARBON 1K 5% 1/4W	
*****			
*	A-4377-001-A	PANEL BOARD, COMPLETE (EX9:AEP, G, IT, UK)	
*	A-4377-002-A	PANEL BOARD, COMPLETE (EX9:E, EA, MY, SP, HK, AUS)	
*	A-4377-018-A	PANEL BOARD, COMPLETE (EX10:AEP, G, IT, UK)	
*	A-4377-019-A	PANEL BOARD, COMPLETE (EX10:E, EA, MY, SP, HK, AUS)	
*****			
< CAPACITOR >			
C1	1-162-306-11	CERAMIC 0.01uF 30% 16V	
C2	1-124-257-00	ELECT 2.2uF 20% 50V	
C3	1-124-257-00	ELECT 2.2uF 20% 50V	
C4	1-124-257-00	ELECT 2.2uF 20% 50V	
C5	1-124-257-00	ELECT 2.2uF 20% 50V	
C400	1-162-306-11	CERAMIC 0.01uF 30% 16V	
C401	1-136-157-00	FILM 0.022uF 5% 50V	
C402	1-136-163-00	FILM 0.068uF 5% 50V	
C403	1-136-167-00	FILM 0.15uF 5% 50V	
C404	1-136-173-00	FILM 0.47uF 5% 50V	
C411	1-124-907-11	ELECT 10uF 20% 50V	
C414	1-124-907-11	ELECT 10uF 20% 50V	
C431	1-162-294-31	CERAMIC 0.001uF 10% 50V (E, EA, MY, SP, HK, AUS)	
C432	1-124-903-11	ELECT 1uF 20% 50V (E, EA, MY, SP, HK, AUS)	
C433	1-162-282-31	CERAMIC 100PF 10% 50V (E, EA, MY, SP, HK, AUS)	

The components identified by mark △ or dotted line with mark. △ are critical for safety. Replace only with part number specified.

# PANEL

Ref. No.	Part No.	Description	Remark		
C434	1-162-282-31	CERAMIC	100PF	10%	50V (E, EA, MY, SP, HK, AUS)
C435	1-124-903-11	ELECT	1uF	20%	50V (E, EA, MY, SP, HK, AUS)
C436	1-162-282-31	CERAMIC	100PF	10%	50V (E, EA, MY, SP, HK, AUS)
C437	1-164-159-11	CERAMIC	0.1uF		50V (E, EA, MY, SP, HK, AUS)
C438	1-164-159-11	CERAMIC	0.1uF		50V (E, EA, MY, SP, HK, AUS)
C439	1-162-282-31	CERAMIC	100PF	10%	50V (E, EA, MY, SP, HK, AUS)
C440	1-162-282-31	CERAMIC	100PF	10%	50V (E, EA, MY, SP, HK, AUS)
C441	1-124-903-11	ELECT	1uF	20%	50V (E, EA, MY, SP, HK, AUS)
C442	1-124-443-00	ELECT	100uF	20%	10V (E, EA, MY, SP, HK, AUS)
C443	1-124-443-00	ELECT	100uF	20%	10V (E, EA, MY, SP, HK, AUS)
C450	1-162-306-11	CERAMIC	0.01uF	30%	16V
C451	1-136-157-00	FILM	0.022uF	5%	50V
C452	1-136-163-00	FILM	0.068uF	5%	50V
C453	1-136-167-00	FILM	0.15uF	5%	50V
C454	1-136-173-00	FILM	0.47uF	5%	50V
C461	1-124-907-11	ELECT	10uF	20%	50V
C464	1-124-907-11	ELECT	10uF	20%	50V
C501	1-164-159-11	CERAMIC	0.1uF		50V
C502	1-126-177-11	ELECT	100uF	20%	10V
C503	1-164-159-11	CERAMIC	0.1uF		50V
C504	1-162-306-11	CERAMIC	0.01uF	30%	16V
C505	1-162-306-11	CERAMIC	0.01uF	30%	16V
C506	1-126-096-11	ELECT	10uF	20%	35V
C507	1-162-306-11	CERAMIC	0.01uF	30%	16V
C508	1-162-306-11	CERAMIC	0.01uF	30%	16V
C509	1-162-306-11	CERAMIC	0.01uF	30%	16V (E, EA, MY, SP, HK, AUS)
C510	1-162-286-21	CERAMIC	220PF	10%	50V
C552	1-126-177-11	ELECT	100uF	20%	10V
C553	1-126-096-11	ELECT	10uF	20%	35V
C554	1-164-159-11	CERAMIC	0.1uF		50V
C555	1-164-159-11	CERAMIC	0.1uF		50V

< CONNECTOR >

* CN501	1-568-839-11	SOCKET, CONNECTOR 23P			
* CN502	1-568-830-11	SOCKET, CONNECTOR 11P (AEP, G, IT, UK)			
* CN502	1-568-834-11	SOCKET, CONNECTOR 15P (E, EA, MY, SP, HK, AUS)			
* CN503	1-568-828-11	SOCKET, CONNECTOR 9P			
* CN504	1-568-824-11	SOCKET, CONNECTOR 5P (AEP, G, IT, UK)			

Ref. No.	Part No.	Description	Remark		
* CN504	1-568-828-11	SOCKET, CONNECTOR 9P (E, EA, MY, SP, HK, AUS)			
		< DIODE >			
D501	8-719-987-63	DIODE 1N4148			
D502	8-719-200-82	DIODE 11ES2			
D505	8-719-987-63	DIODE 1N4148M			
D506	8-719-987-63	DIODE 1N4148M			
D507	8-719-987-63	DIODE 1N4148M (E, EA, MY, SP, HK, AUS)			
D531	8-719-046-44	LED SEL5221S (ON/STANDBY)			
D532	8-719-046-70	LED SEL5620C (HALL)			
D533	8-719-046-70	LED SEL5620C (STADIUM)			
D534	8-719-046-70	LED SEL5620C (LIVE)			
D535	8-719-046-70	LED SEL5620C (DANCE)			
D536	8-719-046-70	LED SEL5620C (PHANTOM)			
D537	8-719-046-70	LED SEL5620C (NORMAL)			
D538	8-719-046-70	LED SEL5620C (WIDE)			
D539	8-719-046-70	LED SEL5620C (3CH LOGIC)			
D540	8-719-301-49	LED SEL2810A (DSP)			
D541	8-719-301-49	LED SEL2810A (DOLBY PROLOGIC)			
D542	8-719-046-44	LED SEL5221S (SOURCE DIRECT)			
D543	8-719-046-44	LED SEL5221S (MUTING -20dB)			
D544	8-719-046-44	LED SEL5221S (KARAOKE PON) (E, EA, MY, SP, HK, AUS)			
D551	8-719-014-56	DIODE UZP-5.1B			
		< IC >			
IC1	8-759-281-71	IC PC74H000N			
IC2	8-759-281-71	IC PC74H000N			
IC401	8-759-634-50	IC M5218AL			
IC431	8-759-634-50	IC M5218AL (E, EA, MY, SP, HK, AUS)			
IC501	8-759-299-89	IC M37471M4-469SP			
IC502	8-759-165-80	IC PST600C-T			
IC503	8-759-917-43	IC SN74HC138AN			
IC504	8-749-920-83	IC GPIU52XB			
		< TRANSISTOR >			
Q1	8-729-900-36	TRANSISTOR DTC124ES			
Q2	8-729-900-36	TRANSISTOR DTC124ES			
Q501	8-729-620-05	TRANSISTOR 2SC2603-EF			
Q531	8-729-900-63	TRANSISTOR DTA124ES			
Q532	8-729-900-36	TRANSISTOR DTC124ES			
Q533	8-729-900-36	TRANSISTOR DTC124ES			
Q534	8-729-900-36	TRANSISTOR DTC124ES			
Q535	8-729-900-36	TRANSISTOR DTC124ES			
Q536	8-729-900-36	TRANSISTOR DTC124ES (E, EA, MY, SP, HK, AUS)			
Q537	8-729-900-36	TRANSISTOR DTC124ES			
Q538	8-729-900-36	TRANSISTOR DTC124ES			
Q539	8-729-900-36	TRANSISTOR DTC124ES			
Q540	8-729-900-36	TRANSISTOR DTC124ES			

**PANEL**

Ref. No.	Part No.	Description	Remark	Ref. No.	Part No.	Description	Remark
Q541	8-729-900-36	TRANSISTOR DTC124ES		R463	1-249-422-11	CARBON 2.7K 5% 1/4W	
Q542	8-729-900-36	TRANSISTOR DTC124ES		R501	1-249-429-11	CARBON 10K 5% 1/4W	
		< RESISTOR >		R502	1-249-429-11	CARBON 10K 5% 1/4W	
R1	1-249-429-11	CARBON 10K 5% 1/4W		R503	1-249-429-11	CARBON 10K 5% 1/4W	
R2	1-249-437-11	CARBON 47K 5% 1/4W		R504	1-249-417-11	CARBON 1K 5% 1/4W	
R3	1-247-887-00	CARBON 220K 5% 1/4W		R505	1-249-441-11	CARBON 100K 5% 1/4W	
R4	1-249-437-11	CARBON 47K 5% 1/4W		R511	1-249-429-11	CARBON 10K 5% 1/4W	
R5	1-249-429-11	CARBON 10K 5% 1/4W		R512	1-249-431-11	CARBON 15K 5% 1/4W	
R6	1-247-895-00	CARBON 470K 5% 1/4W		R513	1-249-417-11	CARBON 1K 5% 1/4W	
R7	1-249-429-11	CARBON 10K 5% 1/4W		R514	1-249-418-11	CARBON 1.2K 5% 1/4W	
R8	1-249-421-11	CARBON 2.2K 5% 1/4W		R515	1-249-418-11	CARBON 1.2K 5% 1/4W	
R402	1-247-815-91	CARBON 220 5% 1/4W		R516	1-249-419-11	CARBON 1.5K 5% 1/4W	
R403	1-249-423-11	CARBON 3.3K 5% 1/4W		R517	1-249-427-11	CARBON 6.8K 5% 1/4W	
R404	1-249-417-11	CARBON 1K 5% 1/4W		R518	1-249-423-11	CARBON 3.3K 5% 1/4W	
R405	1-247-903-00	CARBON 1M 5% 1/4W				(E, EA, MY, SP, HK, AUS)	
R406	1-247-903-00	CARBON 1M 5% 1/4W		R522	1-249-417-11	CARBON 1K 5% 1/4W	
R411	1-249-441-11	CARBON 100K 5% 1/4W		R523	1-249-417-11	CARBON 1K 5% 1/4W	
R412	1-249-429-11	CARBON 10K 5% 1/4W		R531	1-249-411-11	CARBON 330 5% 1/4W	
R413	1-249-422-11	CARBON 2.7K 5% 1/4W		R532	1-249-408-11	CARBON 180 5% 1/4W	
R431	1-249-441-11	CARBON 100K 5% 1/4W		R533	1-249-408-11	CARBON 180 5% 1/4W	
		(E, EA, MY, SP, HK, AUS)		R534	1-249-411-11	CARBON 330 5% 1/4W	
R432	1-249-417-11	CARBON 1K 5% 1/4W		R535	1-249-411-11	CARBON 330 5% 1/4W	
		(E, EA, MY, SP, HK, AUS)		R536	1-249-411-11	CARBON 330 5% 1/4W	
R433	1-249-441-11	CARBON 100K 5% 1/4W				(E, EA, MY, SP, HK, AUS)	
		(E, EA, MY, SP, HK, AUS)		R537	1-249-417-11	CARBON 1K 5% 1/4W	
R434	1-249-441-11	CARBON 100K 5% 1/4W		R538	1-249-417-11	CARBON 1K 5% 1/4W	
		(E, EA, MY, SP, HK, AUS)		R539	1-249-417-11	CARBON 1K 5% 1/4W	
R435	1-249-417-11	CARBON 1K 5% 1/4W		R540	1-249-417-11	CARBON 1K 5% 1/4W	
		(E, EA, MY, SP, HK, AUS)		R541	1-249-425-11	CARBON 4.7K 5% 1/4W	
R436	1-249-435-11	CARBON 33K 5% 1/4W		R542	1-249-417-11	CARBON 1K 5% 1/4W	
		(E, EA, MY, SP, HK, AUS)		R543	1-249-417-11	CARBON 1K 5% 1/4W	
R437	1-249-441-11	CARBON 100K 5% 1/4W		R544	1-249-417-11	CARBON 1K 5% 1/4W	
		(E, EA, MY, SP, HK, AUS)		R545	1-249-425-11	CARBON 4.7K 5% 1/4W	
R438	1-249-441-11	CARBON 100K 5% 1/4W		R546	1-249-417-11	CARBON 1K 5% 1/4W	
		(E, EA, MY, SP, HK, AUS)		R547	1-249-417-11	CARBON 1K 5% 1/4W	
R439	1-249-441-11	CARBON 100K 5% 1/4W		R548	1-249-417-11	CARBON 1K 5% 1/4W	
		(E, EA, MY, SP, HK, AUS)		R552	1-247-815-91	CARBON 220 5% 1/4W	
R440	1-247-807-31	CARBON 100 5% 1/4W		R553	1-247-815-91	CARBON 220 5% 1/4W	
		(E, EA, MY, SP, HK, AUS)		R554	1-249-429-11	CARBON 10K 5% 1/4W	
R441	1-247-807-31	CARBON 100 5% 1/4W				< VARIABLE RESISTOR >	
		(E, EA, MY, SP, HK, AUS)		RV401	1-223-810-11	RES, VAR, CARBON 10K/10K (TREBLE)	
R442	1-249-393-11	CARBON 10 5% 1/4W		RV402	1-223-810-11	RES, VAR, CARBON 10K/10K (BASS)	
		(E, EA, MY, SP, HK, AUS)		RV431	1-223-816-11	RES, VAR, CARBON 50K (MIC LEVEL)	
R452	1-247-815-91	CARBON 220 5% 1/4W				(E, EA, MY, SP, HK, AUS)	
R453	1-249-423-11	CARBON 3.3K 5% 1/4W				< SWITCH >	
R454	1-249-417-11	CARBON 1K 5% 1/4W		S501	1-554-303-21	SWITCH, TACTILE (SYSTEM POWER)	
R455	1-247-903-00	CARBON 1M 5% 1/4W		S502	1-554-303-21	SWITCH, TACTILE (AUDIO)	
R456	1-247-903-00	CARBON 1M 5% 1/4W					
R461	1-249-441-11	CARBON 100K 5% 1/4W					
R462	1-249-429-11	CARBON 10K 5% 1/4W					

**PANEL**

**SP**

Ref. No.	Part No.	Description	Remark
S503	1-554-303-21	SWITCH, TACTILE (VIDEO)	
S504	1-554-303-21	SWITCH, TACTILE (DSP)	
S505	1-554-303-21	SWITCH, TACTILE (DOLBY PROLOGIC)	
S506	1-554-303-21	SWITCH, TACTILE (SOURCE DIRECT)	
S507	1-554-303-21	SWITCH, TACTILE (MUTING -20dB)	
S508	1-554-303-21	SWITCH, TACTILE (KARAOKE PON)	(E, EA, MY, SP, HK, AUS)

< VIBRATOR >

X501	1-579-125-11	VIBRATOR, CERAMIC (8MHz)	
*****			
*	A-4377-000-A	SP BOARD, COMPLETE (EX9)	
*	A-4377-017-A	SP BOARD, COMPLETE (EX10)	
*****			

< CAPACITOR >

C180	1-124-443-00	ELECT	100uF	20%	10V
C181	1-124-907-11	ELECT	10uF	20%	50V
C182	1-124-907-11	ELECT	10uF	20%	50V
C183	1-124-907-11	ELECT	10uF	20%	50V
C184	1-126-941-11	ELECT	470uF	20%	16V
C185	1-126-941-11	ELECT	470uF	20%	16V
C631	1-124-907-11	ELECT	10uF	20%	50V (EX9)
C890	1-164-070-11	CERAMIC	100PF	5%	50V (EX10)
C891	1-136-153-00	FILM	0.01uF	5%	50V (EX9)
C892	1-136-153-00	FILM	0.01uF	5%	50V (EX9)
C893	1-136-153-00	FILM	0.01uF	5%	50V (EX9)
C894	1-136-153-00	FILM	0.01uF	5%	50V (EX9)
C895	1-162-306-11	CERAMIC	0.01uF	30%	16V
C896	1-162-306-11	CERAMIC	0.01uF	30%	16V
C897	1-162-306-11	CERAMIC	0.01uF	30%	16V
C898	1-162-306-11	CERAMIC	0.01uF	30%	16V
C899	1-164-070-11	CERAMIC	100PF	5%	50V (EX10)

< CONNECTOR >

* CN891	1-564-519-11	PLUG, CONNECTOR 4P	
* CN892	1-564-519-11	PLUG, CONNECTOR 4P	
* CN893	1-564-518-11	PLUG, CONNECTOR 3P (EX9)	
* CN894	1-568-850-11	SOCKET, CONNECTOR 7P (EX9)	
* CN894	1-568-848-11	SOCKET, CONNECTOR 5P (EX10)	

< DIODE >

D631	8-719-987-63	DIODE	1N4148M	(EX9)
D632	8-719-987-63	DIODE	1N4148M	(EX9)
D633	8-719-987-63	DIODE	1N4148M	(EX9)
D634	8-719-987-63	DIODE	1N4148M	(EX9)

Ref. No.	Part No.	Description	Remark
		< IC >	
IC181	8-759-140-53	IC	uPD4053BC
		< JACK >	
* J801	1-764-389-11	JACK, PIN 2P (FRONT SPEAKER)	(EX10)
J802	1-565-934-11	JACK, PIN 2P (VIDEO 2 IN, VIDEO 1 OUT)	
J803	1-565-934-11	JACK, PIN 2P (VIDEO 1IN, MONITOR OUT)	

< COIL >

L181	1-408-405-00	INDUCTOR	4.7uH
L701	1-420-872-00	COIL, AIR-CORE	
L751	1-420-872-00	COIL, AIR-CORE	
L801	1-420-872-00	COIL, AIR-CORE	(EX9)
L851	1-420-872-00	COIL, AIR-CORE	(EX9)

< TRANSISTOR >

Q181	8-729-620-05	TRANSISTOR	2SC2603-EF
Q182	8-729-620-05	TRANSISTOR	2SC2603-EF
Q183	8-729-620-05	TRANSISTOR	2SC2603-EF
Q184	8-729-620-05	TRANSISTOR	2SC2603-EF
Q185	8-729-620-05	TRANSISTOR	2SC2603-EF
Q186	8-729-620-05	TRANSISTOR	2SC2603-EF
Q631	8-729-620-05	TRANSISTOR	2SC2603-EF (EX9)
Q632	8-729-620-05	TRANSISTOR	2SC2603-EF (EX9)
Q633	8-729-118-01	TRANSISTOR	2SB1116-K (EX9)
Q634	8-729-118-01	TRANSISTOR	2SB1116-K (EX9)

< RESISTOR >

R181	1-247-804-11	CARBON	75	5%	1/4W
R182	1-247-804-11	CARBON	75	5%	1/4W
R183	1-247-815-91	CARBON	220	5%	1/4W
R184	1-247-863-91	CARBON	22K	5%	1/4W
R185	1-249-429-11	CARBON	10K	5%	1/4W
R186	1-249-411-11	CARBON	330	5%	1/4W
R187	1-249-421-11	CARBON	2.2K	5%	1/4W
R188	1-249-418-11	CARBON	1.2K	5%	1/4W
R189	1-249-417-11	CARBON	1K	5%	1/4W
R190	1-247-815-91	CARBON	220	5%	1/4W
R191	1-247-804-11	CARBON	75	5%	1/4W
R192	1-247-804-11	CARBON	75	5%	1/4W
R193	1-249-413-11	CARBON	470	5%	1/4W
R194	1-249-413-11	CARBON	470	5%	1/4W
R195	1-249-441-11	CARBON	100K	5%	1/4W
R196	1-249-441-11	CARBON	100K	5%	1/4W
R197	1-249-417-11	CARBON	1K	5%	1/4W
R198	1-249-417-11	CARBON	1K	5%	1/4W
R631	1-249-441-11	CARBON	100K	5%	1/4W (EX9)
R632	1-249-441-11	CARBON	100K	5%	1/4W (EX9)



**SP      TRANSFORMER      VOL**

Ref. No.	Part No.	Description	Remark		
R633	1-249-441-11	CARBON	100K	5%	1/4W (EX9)
R634	1-249-441-11	CARBON	100K	5%	1/4W (EX9)
R635	1-249-441-11	CARBON	100K	5%	1/4W (EX9)
R636	1-249-429-11	CARBON	10K	5%	1/4W (EX9)
R637	1-249-429-11	CARBON	10K	5%	1/4W (EX9)
R638	1-260-096-11	CARBON	560	5%	1/2W (EX9)
R639	1-260-096-11	CARBON	560	5%	1/2W (EX9)
R640	1-260-096-11	CARBON	560	5%	1/2W (EX9)
R641	1-260-096-11	CARBON	560	5%	1/2W (EX9)
R720	1-260-076-11	CARBON	10	5%	1/2W
R770	1-260-076-11	CARBON	10	5%	1/2W
R820	1-260-076-11	CARBON	10	5%	1/2W (EX9)
R820	1-249-413-11	CARBON	470	5%	1/4W (EX10)
R870	1-260-076-11	CARBON	10	5%	1/2W (EX9)
R870	1-249-413-11	CARBON	470	5%	1/4W (EX10)
R891	1-260-076-11	CARBON	10	5%	1/2W (EX9)
R892	1-260-076-11	CARBON	10	5%	1/2W (EX9)
R893	1-249-393-11	CARBON	10	5%	1/4W
R894	1-249-393-11	CARBON	10	5%	1/4W
< TERMINAL >					
TM801	1-537-822-11	TERMINAL BOARD (SP) (FRONT SPEAKER) (EX9)			
TM802	1-537-336-31	TERMINAL BOARD (SP) (REAR SPEAKER, CENTER SPEAKER)			
*****					
*	1-654-782-11	TRANSFORMER BOARD			
*****					
< CONNECTOR >					
△CN904	1-526-794-11	OUTLET, AC (AC OUTLET) (EX10)			
* CN911	1-564-507-11	PLUG, CONNECTOR 4P			
* CN912	1-564-506-11	PLUG, CONNECTOR 3P (EX10)			
* CN912	1-564-508-11	PLUG, CONNECTOR 5P (EX9)			
*****					
*	1-654-779-11	VOL BOARD			
*****					
< CAPACITOR >					
C421	1-164-159-11	CERAMIC	0.1uF		50V
< CONNECTOR >					
* CN401	1-568-836-11	SOCKET, CONNECTOR 17P			
< TRANSISTOR >					
Q221	8-729-141-30	TRANSISTOR	2SC3623A-LK		
Q222	8-729-141-30	TRANSISTOR	2SC3623A-LK		
Q223	8-729-141-30	TRANSISTOR	2SC3623A-LK		
Q223	8-729-141-30	TRANSISTOR	2SC3623A-LK		
Q223	8-729-141-30	TRANSISTOR	2SC3623A-LK		
Q224	8-729-141-30	TRANSISTOR	2SC3623A-LK		

Ref. No.	Part No.	Description	Remark		
Q225	8-729-141-30	TRANSISTOR	2SC3623A-LK		
Q226	8-729-141-30	TRANSISTOR	2SC3623A-LK		
Q227	8-729-141-30	TRANSISTOR	2SC3623A-LK		
Q228	8-729-141-30	TRANSISTOR	2SC3623A-LK		
< RESISTOR >					
R421	1-249-427-11	CARBON	6.8K	5%	1/4W
R422	1-249-415-11	CARBON	680	5%	1/4W
R423	1-249-417-11	CARBON	1K	5%	1/4W
R424	1-249-417-11	CARBON	1K	5%	1/4W
R425	1-249-426-11	CARBON	5.6K	5%	1/4W
R426	1-249-415-11	CARBON	680	5%	1/4W
R427	1-249-417-11	CARBON	1K	5%	1/4W
R428	1-249-417-11	CARBON	1K	5%	1/4W
R429	1-249-411-11	CARBON	330	5%	1/4W
R471	1-249-427-11	CARBON	6.8K	5%	1/4W
R472	1-249-415-11	CARBON	680	5%	1/4W
R473	1-249-417-11	CARBON	1K	5%	1/4W
R474	1-249-417-11	CARBON	1K	5%	1/4W
R475	1-249-426-11	CARBON	5.6K	5%	1/4W
R476	1-249-415-11	CARBON	680	5%	1/4W
R477	1-249-417-11	CARBON	1K	5%	1/4W
R478	1-249-417-11	CARBON	1K	5%	1/4W
R479	1-249-441-11	CARBON	100K	5%	1/4W
< VARIABLE RESISTOR >					
RV403	1-223-809-11	RES, VAR, CARBON 100KX4 (VOLUME)			
*****					
MISCELLANEOUS					
*****					
9	1-751-216-52	LEAD (WITH CONNECTOR) (2 CORE) (EX10)			
14	1-769-847-11	WIRE (FLAT TYPE) (5 CORE) (EX10)			
14	1-769-881-11	WIRE (FLAT TYPE) (7 CORE) (EX9)			
15	1-769-940-11	WIRE (FLAT TYPE) (11 CORE)			
△18	1-569-007-11	ADAPTER, CONVERSION 2P (E)			
△19	1-569-008-11	ADAPTER, CONVERSION 2P (EA, MY, SP)			
△20	1-770-019-11	ADAPTER, CONVERSION PLUG 3P (HK)			
61	1-769-914-11	WIRE (FLAT TYPE) (9 CORE)			
65	1-769-846-11	WIRE (FLAT TYPE) (5 CORE) (AEP, UK, G, IT)			
65	1-769-910-11	WIRE (FLAT TYPE) (9 CORE) (E, EA, MY, SP, HK, AUS)			
66	1-765-326-11	WIRE (FLAT TYPE) (11 CORE) (AEP, UK, G, IT)			
66	1-765-332-11	WIRE (FLAT TYPE) (15 CORE) (E, EA, MY, SP, HK, AUS)			
69	1-773-038-11	WIRE (FLAT TYPE) (17 CORE)			
71	1-773-183-11	WIRE (FLAT TYPE) (23 CORE)			
△CN903	1-526-794-11	OUTLET, AC (AC OUTLET) (EX10)			
△CN904	1-526-794-11	OUTLET, AC (AC OUTLET) (EX10)			

The components identified by mark △ or dotted line with mark △ are critical for safety. Replace only with part number specified.

# TA-EX9/EX10

Ref. No.	Part No.	Description	Remark
△CNP901	1-558-943-41	CORD, POWER (E)	
△CNP901	1-575-651-21	CORD, POWER (AEP, G, IT, EA, MY, SP, HK)	
△CNP901	1-696-571-11	CORD, POWER (UK)	
△CNP901	1-696-845-11	CORD, POWER (AUS)	
M801	1-698-209-11	MOTOR, DC FAN (FAN MOTOR) (EX9)	
△T901	1-427-702-11	TRANSFORMER, POWER (EX10:E, EA, MY, SP, HK, AUS)	
△T901	1-427-703-11	TRANSFORMER, POWER (EX10:AEP, UK, G, IT)	
△T901	1-427-704-11	TRANSFORMER, POWER (EX9:E, EA, MY, SP, HK, AUS)	
△T901	1-427-705-11	TRANSFORMER, POWER (EX9:AEP, UK, G, IT)	

\*\*\*\*\*

\*\*\*\*\*  
 HARDWARE LIST  
 \*\*\*\*\*

- #1 7-685-646-79 SCREW +BVTP 3X8 TYPE2 N-S
- #2 7-685-650-79 SCREW +BVTP 3X16 TYPE2 IT-3
- #3 7-685-871-01 SCREW +BVTT 3X6 (S)
- #4 7-682-548-04 SCREW +BVTT 3X8 (S)

The components identified by mark △ or dotted line with mark △ are critical for safety. Replace only with part number specified.